



# Model 6045 MR and 6046 MR

## 6000 Series - Analog Meter Relays



4-1/2" 6045 MR DC

4-1/2" 6046 MR AC Rectified

### Features

- Low Depth - 4.5".
- Wide variety of control, alarm, and limit use.
- Calibration unaffected by steel panel mounting.
- Infrared LED/photo transistor.
- 0-2 / 0-20 second time delay STD.
- 5-A 120/220V relay contact, double pole-double throw.
- Stable electronic switching circuit does not use lamps, photocells, inductors or capacitors.
- Isolated input signal.
- Control function continues if the indicator becomes damaged.
- LED relay status indicators.
- Custom dials multi-color, gradient color, photos, and logos - as you wish.

### Specifications

Accuracy	DC: $\pm 2\%$ of full scale. AC: $\pm 3\%$ of full scale.
Movement Suspension	Core Type, Self-shielding. Taut Band.
Tracking	$\pm 3\%$
Repeatability	Within 0.5% of full scale.
Shielding	Calibration unaffected by magnetic panel mounting.
Dial	Sharp, clear, flattened arc. Customs and logos available.
Case	Lexan.
Pointer	Black, Tubular
Control Point	Single - high limit, 0-100% of arc.
Adjustments	Double - high limit 5-100% of arc, Low limit 0-95% of arc, adjustable to within 4° of each other.
Switching	Within 2% of indication.
Auto / Manual Reset	Latching function enabled independently for each relay removing jumpers on terminal block. Add and replace with a normal open pushbutton switch.
Contacts/ Output Relay	DPDT relay contacts for each control point, each set contacts rated at 5amps, 20/240VAC resistive.
Power Options	1) 70-170VAC, 50-400Hz / 70-170VDC. 2) 8-32 VDC
Operating temperature	+41°F to 122°F (°C to °50C)

### Accessories

- Relay latching
- External reset switch
- Finger knob setpoint adjusters

### Applications

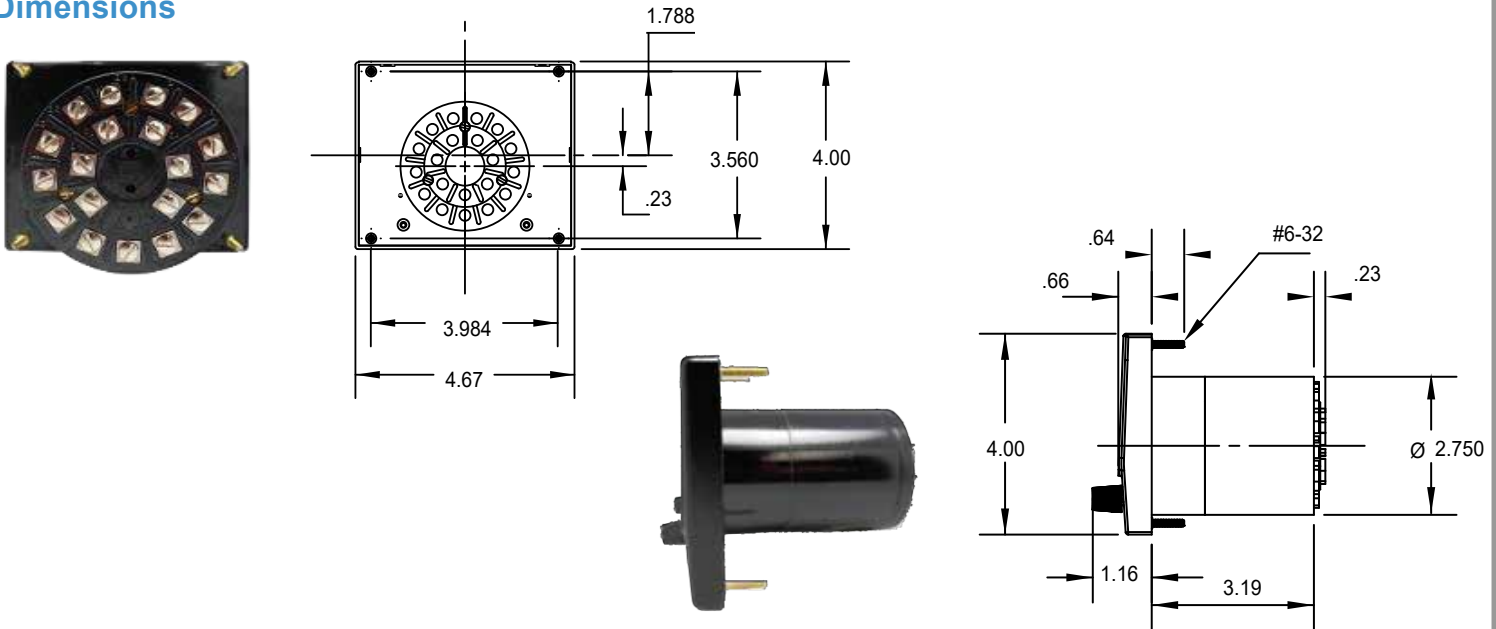
- Liquid level control
- Load shedding
- Power factor correction
- High & Low alarms
- Shutdown
- Frequency monitoring
- Temperature indication and control



# Model 6045 MR and 6046 MR

## 6000 Series - Analog Meter Relays

### Dimensions



### Meter Relay Configurator

Model	Relay	Time Delay	Reset	Aux Power	Input	Scale
6045 MR	H = HIGH HL = HIGH/LOW L = LOW	0 = 0-2 SEC 2 = 0-20 SEC	A = AUTO C = MANUAL NC O = MANUAL NO	A= 70-170VAC/DC D= 8-32VDC	1M ADC 150 VDC 300 VDC 50M VDC 100M VDC	SPECIFY
6046 MR	H = HIGH HL = HIGH/LOW L = LOW	0 = 0-2 SEC 2 = 0-20 SEC	A = AUTO C = MANUAL NC O = MANUAL NO	A= 70-172VAC/DC D= 8-32VDC	150 VAC 300 VAC 5 AAC	SPECIFY

### Catalog Numbers

#### 6045 MR

#### 6046 MR

High Setpoint

6045MR-H0AA-1MADC  
6045MR-H0AA-150VDC  
6045MR-H0AA-300VDC  
6045MR-H0AA-50MVDC-SCALE\*

6046MR-H0AA-150VAC  
6046MR-H0AA-300VAC  
6046MR-H0AA-5AAC-SCALE\*

High/Low Setpoint

6045MR-HL0AA-1MADC  
6045MR-HL0AA-150VDC  
6045MR-HL0AA-300VDC  
6045MR-HL0AA-50MVDC-SCALE\*

6046MR-HL0AA-150VAC  
6046MR-HL0AA-300VAC  
6046MR-HL0AA-5AAC-SCALE\*

Low Setpoint\*\*

6045MR-L0AA-1MADC  
6045MR-L0AA-150VDC  
6045MR-L0AA-300VDC  
6045MR-L0AA-50MVDC-SCALE\*

6046MR-L0AA-150VAC  
6046MR-L0AA-300VAC  
6046MR-L0AA-5AAC-SCALE\*

\* - Please, specify your scale information upon order

**Hoyt Electrical Instrument Works, Inc.**

[www.hoytmeter.com](http://www.hoytmeter.com)

Authorized Distributor:

**WESCHLER INSTRUMENTS**

phone: 800-903-9870 440-378-6580

fax: 800-903-9590 440-238-0660

[www.weschler.com](http://www.weschler.com) info@weschler.com