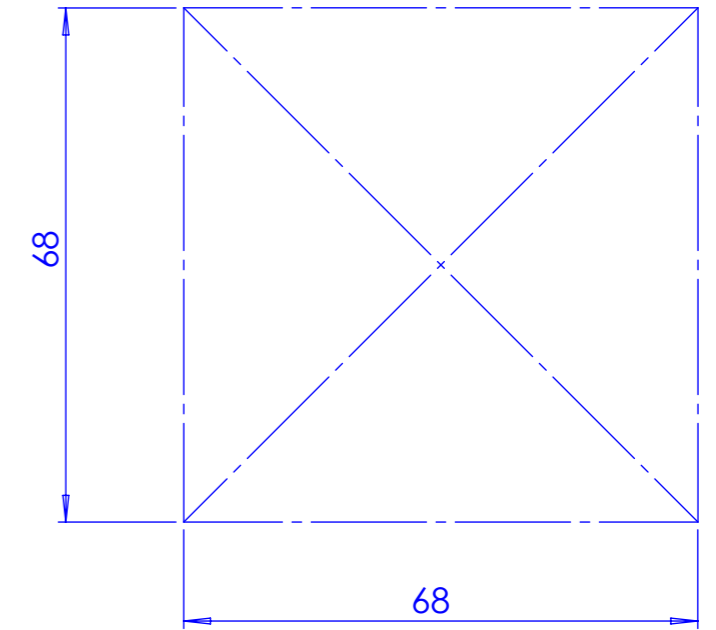
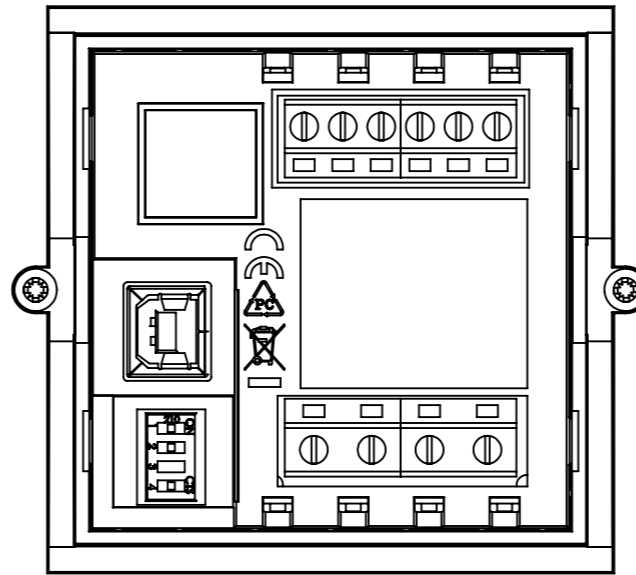
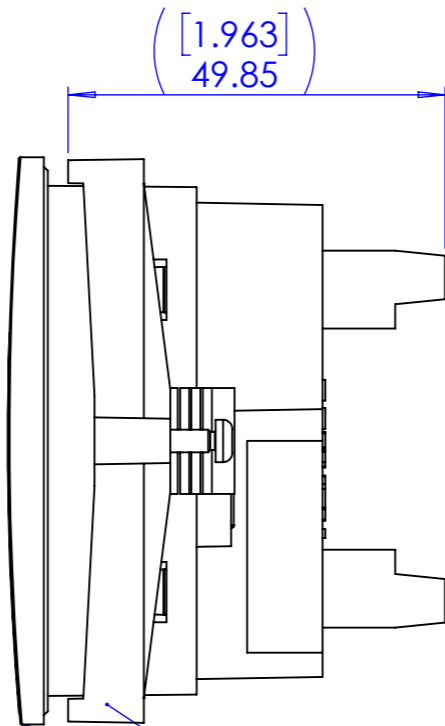
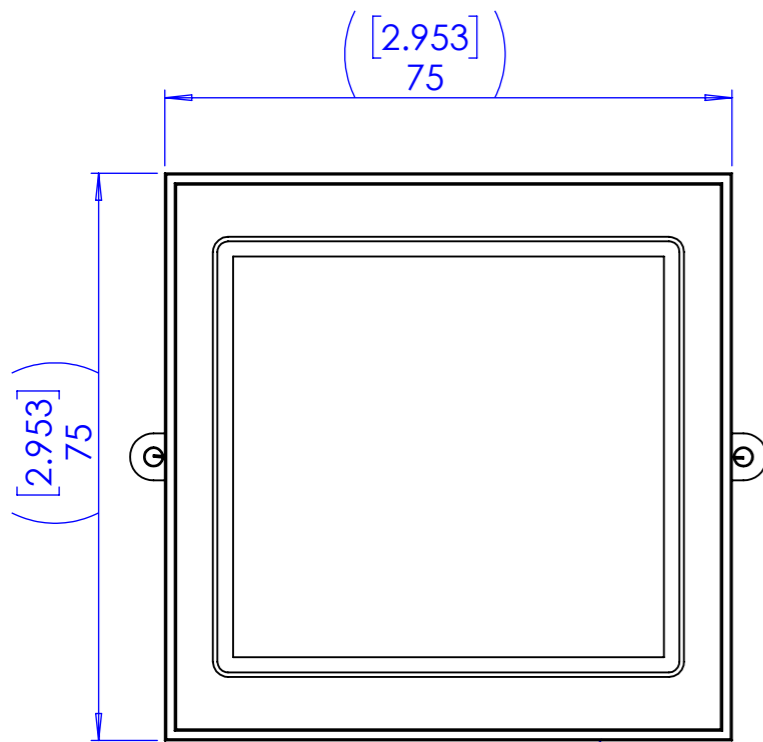
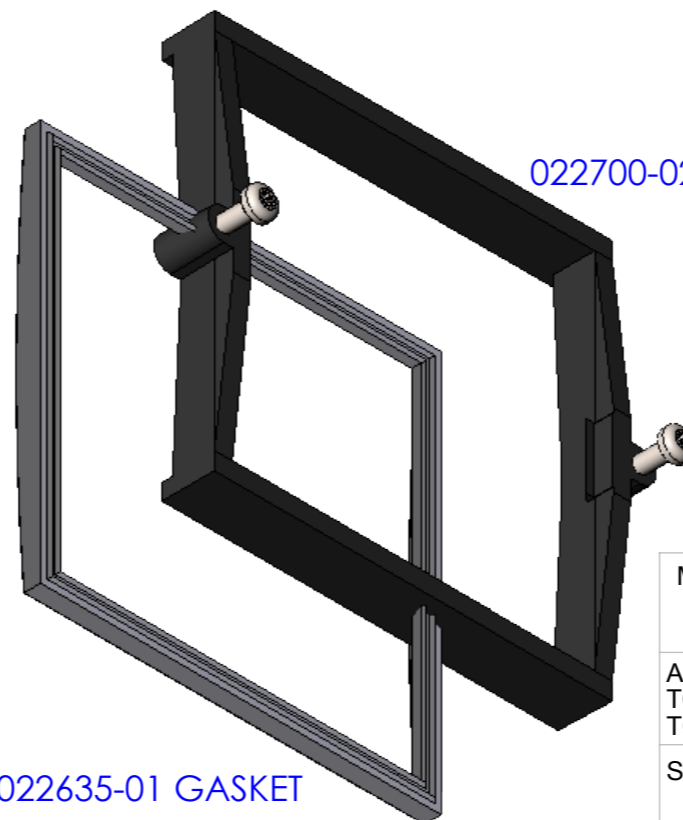
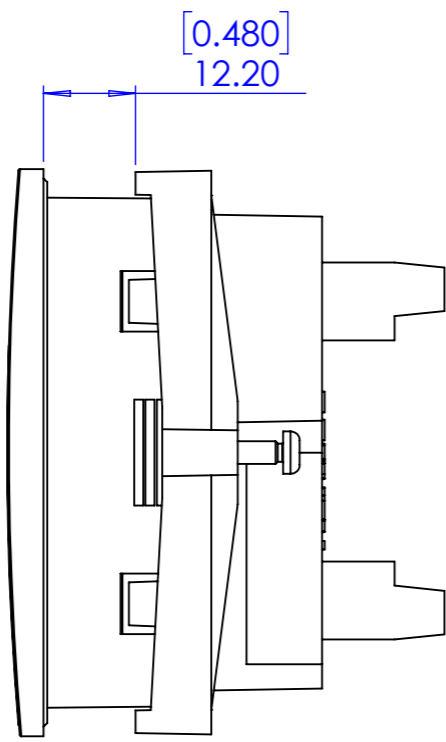
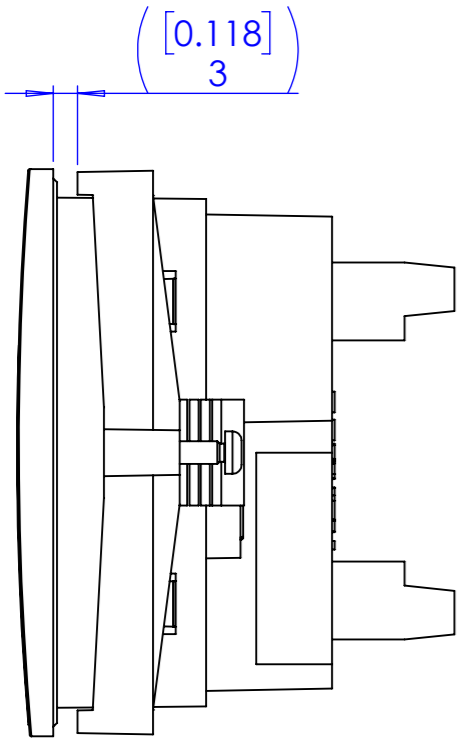


Released



GASKET
MOUNTING CLIP

Recommended / Panel Cut-out
68 x 68mm (2.68in) +0.7 (0.03in) -0.0mm



022635-01 GASKET

CLIP MINIMUM OPENING

CLIP MAXIMUM OPENING

DIMENSIONS SHOWN WITH MOUNTING SEAL FITTED

MATERIAL	FINISH		WEIGHT	
ALL DIMENSIONS ARE IN MM TOLS UNLESS OTHERWISE STATED TO BE ± 0.10	TITLE Installation assembly details			
SCALE 1:1	ITEM No			
DO NOT SCALE IF IN DOUBT ASK	DRAWN	CHECKED	APPROVED	
THIRD ANGLE PROJECTION	PK	PK	GC	
COPYRIGHT AND CONFIDENTIAL <small>© ALL RIGHTS RESERVED. THIS DOCUMENT AND THE INTELLECTUAL PROPERTY CONTAINED HEREIN ARE THE PROPERTY OF TRUMETER. NO PART OF THIS DOCUMENT MAY BE DISCLOSED, REPRODUCED, DISTRIBUTED OR TRANSMITTED IN ANY FORM OR BY ANY MEANS WITHOUT PRIOR WRITTEN PERMISSION.</small>				
DRG No	REV 1	SHEET 1 of 1	A3	

