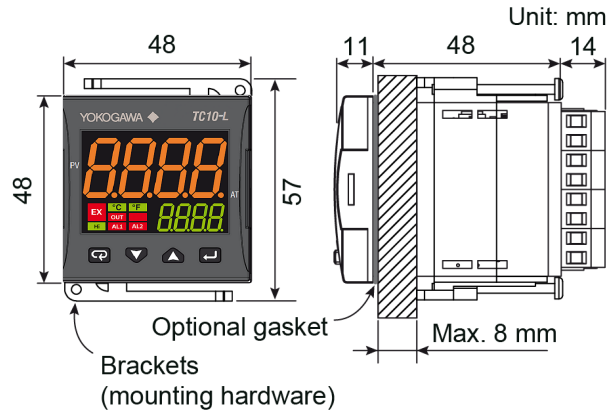


# Drawings

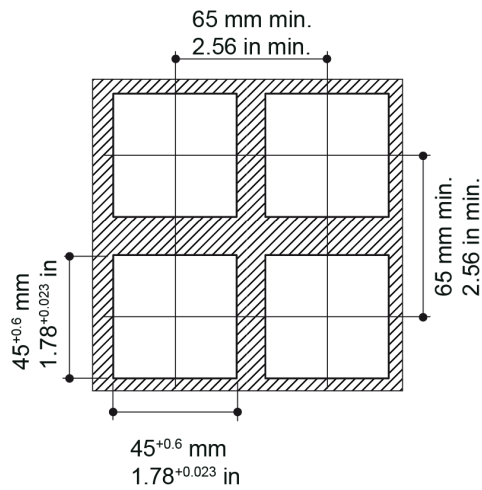
## Model TC10-L Temperature Controller (Limit Control Type)

SD 05C01E81-11EN

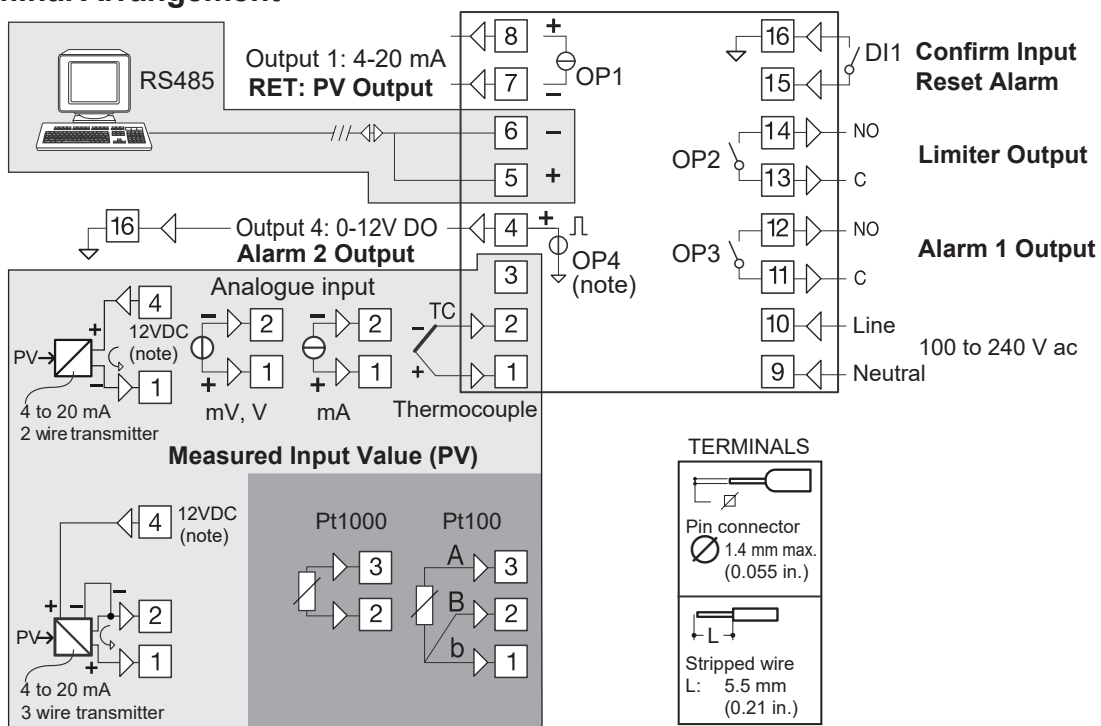
### External Dimensions



### Panel Cutout Dimensions



## Terminal Arrangement



Note: Terminal 4 can be programmed as:

- 0 to 12 V SSR Drive Output (OP4) connecting the load between terminals 4 and 16;
- 12 Vdc (20 mA) transmitter power supply connecting the 2 wire transmitter between terminals 4 and 1;
- for 3 wire transmitter connect terminal 4 to transmitter power supply input and terminal 1 and 2 to transmitter signal output.