

GE

Energy Connections

Model 3P4

Current Transformer Window Diameter 1.56"

Application

3 phase metering and other switchboard applications.

Frequency

50-400 Hz.

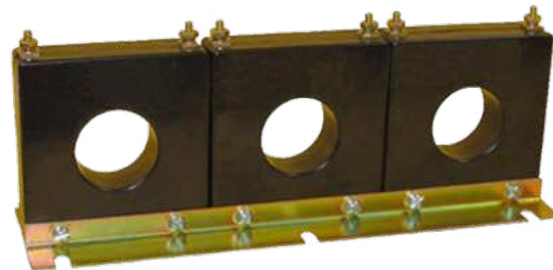
Insulation level

600 Volts, 10 kV BIL full wave.

Terminals are brass studs No. 8-32 with one flatwasher, lockwasher and regular nut.

Transformers can be ordered with secondary leads configured in various ways (consult factory).

Approximate weight 6.75 lbs.

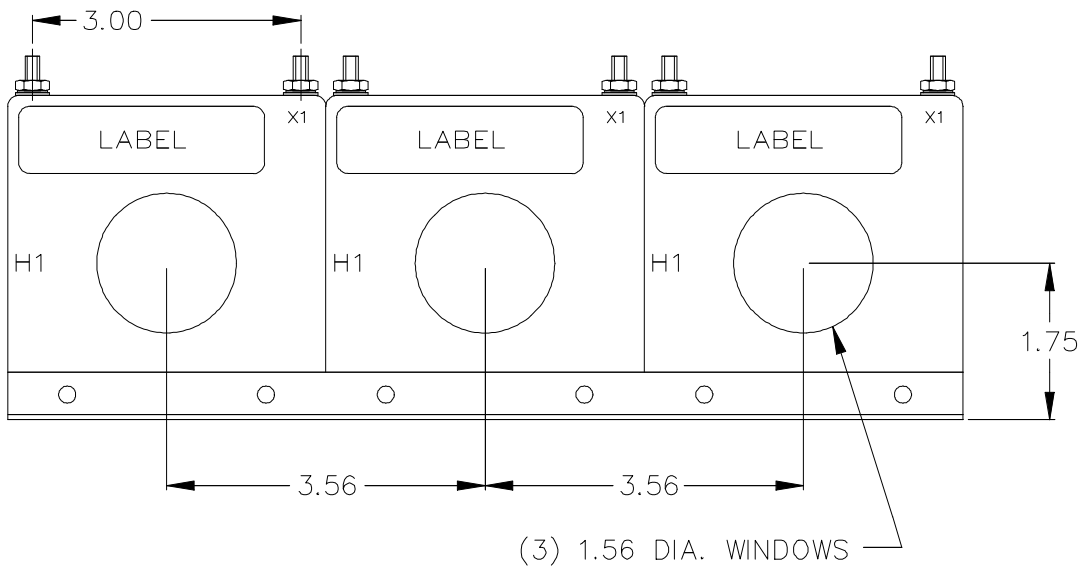
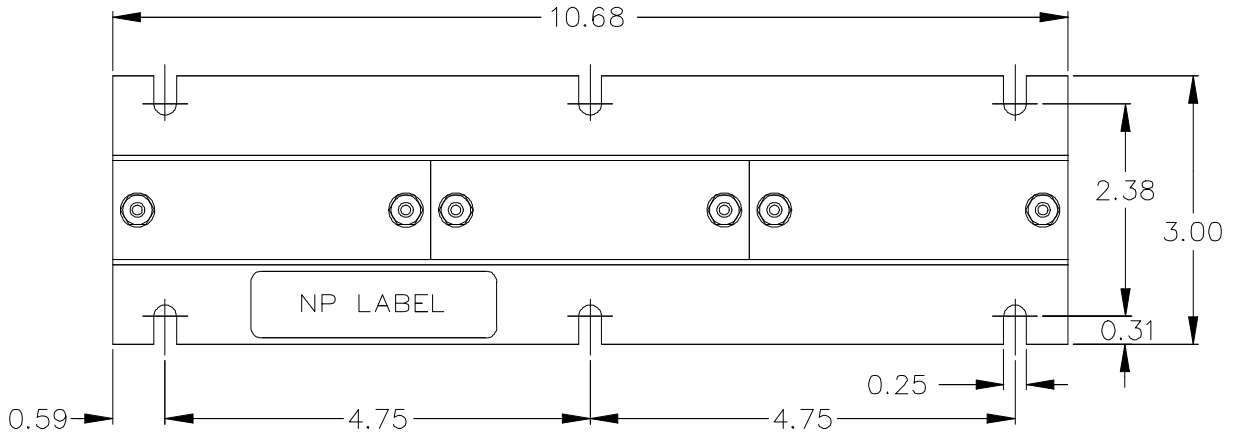


Data Table: Model 3P4

Catalog Number	Current Ratio	ANSI Metering Class at 60 Hz					Secondary Winding Resistance (Ω @ 75 °C)
		B0.1	B0.2	B0.5	B0.9	B1.8	
3P4-500	50:5	4.8	—	—	—	—	0.011
3P4-101	100:5	1.2	2.4	—	—	—	0.023
3P4-151	150:5	0.6	1.2	2.4	—	—	0.034
3P4-201	200:5	0.6	0.6	1.2	2.4	—	0.045
3P4-251	250:5	0.6	0.6	1.2	2.4	2.4	0.057
3P4-301	300:5	0.3	0.3	0.6	1.2	2.4	0.068
3P4-401	400:5	0.3	0.3	0.6	1.2	1.2	0.091
3P4-501	500:5	0.3	0.3	0.6	0.6	1.2	0.113
3P4-601	600:5	0.3	0.3	0.6	0.6	1.2	0.136
3P4-751	750:5	0.3	0.3	0.6	0.6	0.6	0.170
3P4-801	800:5	0.3	0.3	0.6	0.6	0.6	0.181
3P4-102	1,000:5	0.3	0.3	0.3	0.6	0.6	0.226



Model 3P30



Authorized Distributor:
WESCHLER INSTRUMENTS
 phone: 800-903-9870 440-378-6580
 fax: 800-903-9590 440-238-0660
 www.weschler.com info@weschler.com

GEGridSolutions.com

Grid-AIS-L4-ITL_Model_3P4-1191-2017_05-EN. Copyright 2017. General Electric Company and Instrument Transformers LLC reserve the right to change specifications of described products at any time without notice and without obligation to notify any person of such changes.

Worldwide Contact Center

Web: www.GEGridSolutions.com/contact
 Phone: +44 (0) 1785 250 070
 USA and Canada: +1 (0) 800 547 8629
 Europe, Middle East and Africa: +34 (0) 94 485 88 00

