

# mL-CS8A

## 8 CHANNEL ANALOG SCANNER WITH 10 RELAYS

### FEATURES

- 320 x 240 pixel TFT LCD display
- 8 Analog inputs (mA or VDC; DIP switch selectable)
- ON-OFF control
- Relay outputs
- Sensor error detection
- Adjustable offset
- 3 Different alarm and pre-alarm types for each channel (High, Low and Band Alarms)
- User defined channel labels
- Display scan modes
- Operating with Real Time Clock (RTC)
- RS-232 and RS-485 with ModBus RTU communication protocol
- Data Logging to USB Flash Memory (custom order option)
- Adjustable data logging time interval
- Password protection for programming mode
- Alarm Logging (standard)



### DESCRIPTION

The mL-CS8A series 8 channel analog scanner devices are designed for measuring and logging processes. They can be used in many applications with their 0-20mA, 4-20mA or 0-10VDC process input, alarm outputs, selectable alarm functions, RS-232 / RS-485 communications. Application Fields Glass, Plastic, Petro-Chemistry, Textile, Automotive, Machine production industries. Applications Heating, Baking Ovens, Incubators Storages, Air Conditioning

### SPECIFICATIONS

Analog Input:	0-20mA, 4-20mA, 0-10VDC
Measurement Range:	-200 to +650
Accuracy:	± 0.25% of full scale
Sensor Break Protection:	Upscale
Sampling Time:	400msecs.
Input Resistance:	> 10MΩ
Relay:	Resistive Load 5A@250V~ Electrical Life: 100.000 operation (Full Load)
LCD Display:	320x240 pixel TFT LCD
Power Supply:	100 to 240 VAC (-%15 /+%10) 50/60Hz. 7VA
Operating Temperature:	0 ... 50° C
Humidity:	0-90%RH (none condensing)
Protection Class:	IP65 at front, IP20 at rear
Weight:	400 gr.
Dimension:	96 x 96 mm, Depth: 96 mm
Panel Cut-Out:	9 2 x 9 2 mm

Authorized Distributor:

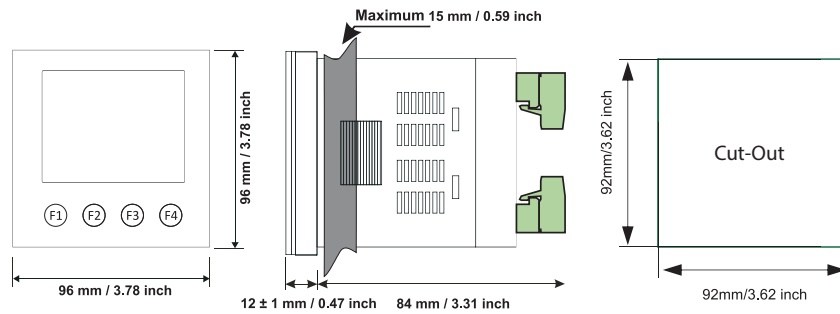
**WESCHLER INSTRUMENTS**

phone: 800-903-9870 440-378-6580

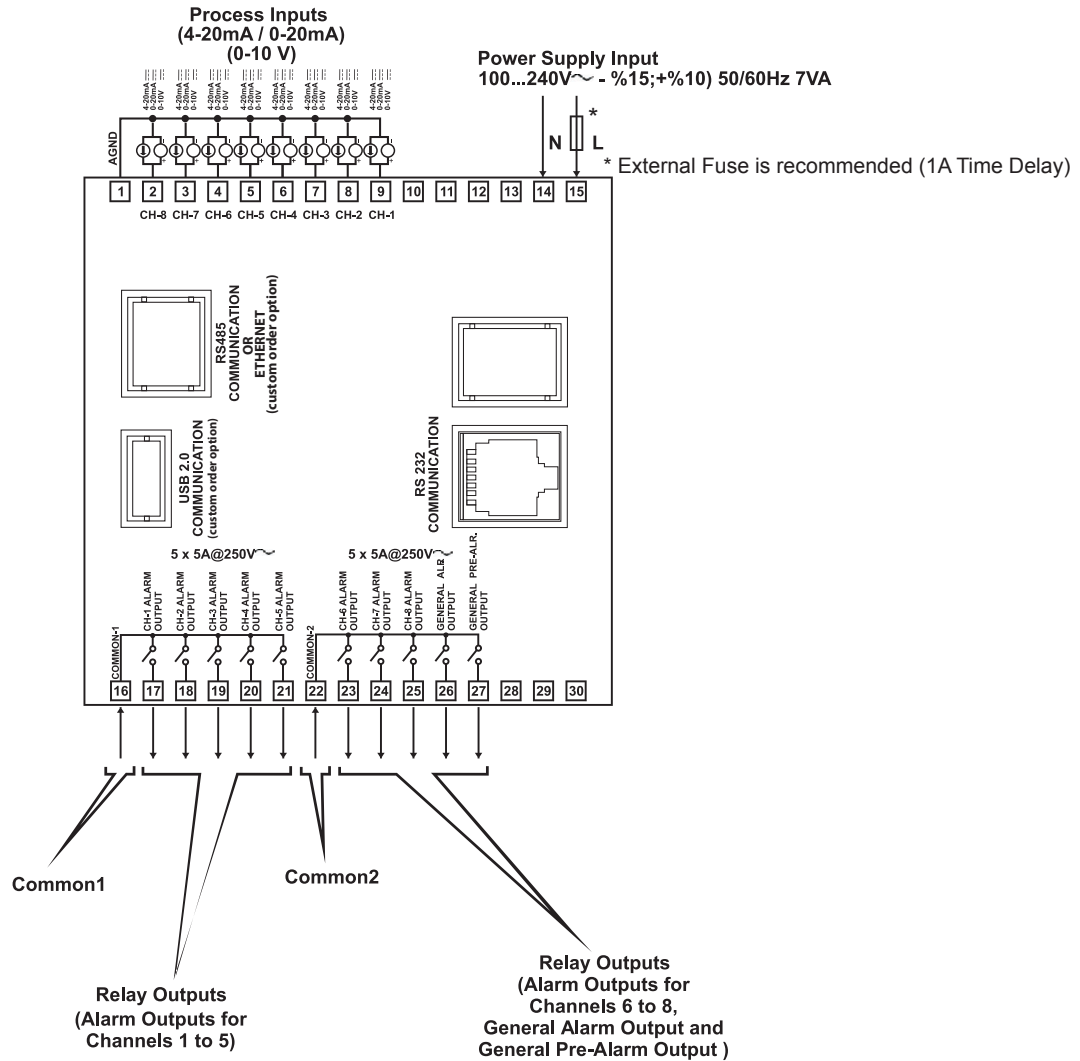
fax: 800-903-9590 440-238-0660

www.weschler.com info@weschler.com

## DIMENSIONS



## WIRING



## ORDERING INFORMATION

Model Number	Description
mL-CS8A	8 Channel Analog Scanner 1/4 DIN Case 100 to 240 VAC Supply Voltage (-15%; +10%) 50/60Hz 0-20mA, 4-20mA and 0-10VDC Analog Inputs (Individually DIP Switch Selectable) 10 Relay Outputs with 2 common for each NO (5A @ 250VAC with Resistive Load), for each common contact 15A max. (15A @ 250VAC with Resistive Load) RS-485 & RS-232 Serial Communication with Modbus RTU Protocol