

ATS SERIES

Current Transducer/Switch

The ATS Series Current Sensors combine a current operated switch and transducer into a single package for use in AC current applications up to 1200 A. The large sensing window provides complete isolation between the primary circuit and the controls. The DIN rail mounting makes installation a breeze, and provides a very secure mount that is resistant to conductor movement.



Applications

Large AC Motor Loads

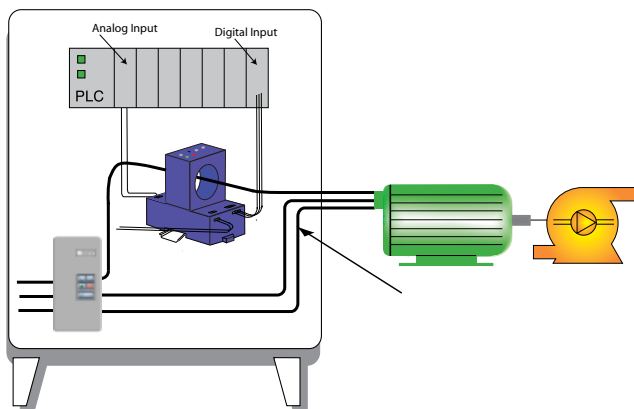
- Produces an analog signal at all times to detect increases or decreases in current.
- Provides limit alarm contacts for over or under current conditions.
- Extra large aperture allows for single or multiple conductor passage.

Main Service Entrance

- Allows a viewer to see the amount of current used at any time when connected to a standard panel meter.

Generators

- Measure the AC current produced or consumed.
- Detect mechanical problems before failure occurs.



Features

Easily Established Relay Actuation Point

- Patented rotary switch setpoint selection (patent pending).
- Trip point indicated on the labeling.

Isolation

- Output is magnetically isolated from the input for safety.
- Eliminates insertion losses, no added burden.

Analog Signal Available At All Times

- 4–20mA signal proportional to 0–1200 AC Amps.
- Reduces components by combining transducer and limit alarm (current switch).
- Analog signal powered from the sensor; no loop powered required.

DIN Rail Mounting*

- Integral DIN rail mount with spring loaded mounting clips.
- Makes installation a snap.

Fail-Safe Relay Action

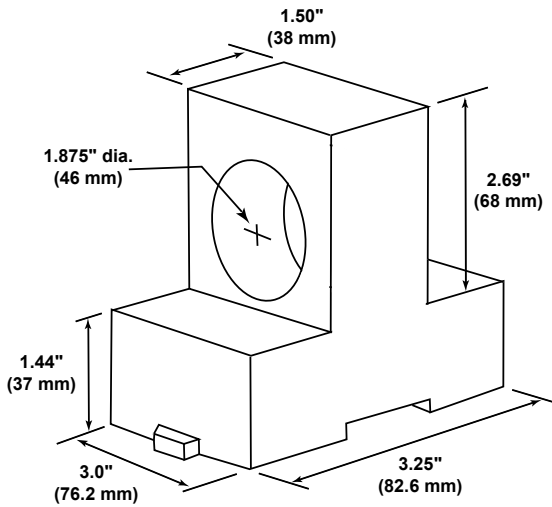
- Single Pole Double Throw Relay changes state with power to the sensor.
- LED indication if power is removed from the sensor or primary current exceeds the adjustable trip point.
- Field adjustable time delay from 0.5 to 12 seconds.

*See DIN rail accessories page for panel mounting kit.

Test & Evaluation Units
For OEMs
 Free program expedites evaluation process.
 See page 1 for details.

Authorized Distributor:
WESCHLER INSTRUMENTS
 phone: 800-903-9870 440-378-6580
 fax: 800-903-9590 440-238-0660
 www.weschler.com info@weschler.com

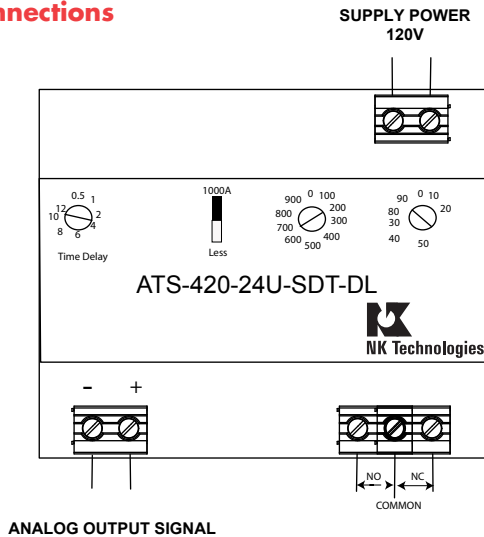
Dimensions



Specifications

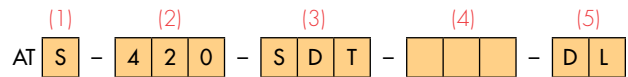
Output Signal	4–20mA
Output Limit	4–20mA: 23mA (If trip point is <150 A, max. signal is 6mA, if <300A, max signal is 8mA)
Transducer Accuracy	+/-1%
Repeatability	1.0% FS
Response Time	<ul style="list-style-type: none"> Relay Output: 200ms to 90% of step change Transducer: 600ms to 90% step change
Frequency Range	AC 10–100 Hertz
Power Supply	120 VAC or 24VDC, isolated from output
Power Consumption	5VA
Loading	4–20mA: 650 ohm maximum
Isolation Voltage	Tested to 5KV
Linearity	1.00% FS
Current Ranges	Ranges from 0–1200A
Sensing Aperture	DL Case: 1.875" (46mm) diameter
Case	UL94 V0 Flammability Rated
Environmental	-4 to 122°F (-20 to 50°C), 0–95% RH, non-condensing
Listings	UL 508 Industrial Control Equipment Standards (Pending, USA & Canada) Designed to meet CE

Connections



Ordering Information

Sample Model Number: ATS-420-SDT-24D-DL
Solid core AC current operated switch / transducer combination, 0–1200A range, 24DC powered, 4–20mA analog output, adjustable relay trip point.



(1) Full Scale Range

S	Combination (switch and transducer)
---	-------------------------------------

(2) Output Signal

420	4–20mA
-----	--------

(3) Contact Type

SDT	SPDT Relay
-----	------------

(4) Power Supply

24D	24 VDC
120	120 VAC

(5) Case Style

DL	Solid-core, DIN rail mount*
----	-----------------------------

*DIN rail kit available. See DIN rail accessories page.

Output Type

Single pole, double throw relay adjustable from 10 to 1200 amps in ten amp increments. 4–20 mA signal proportional to 0-1200 amps. Analog signal capped at 6mA when trip point <150 amps, 8mA if trip point <300 amps, 23mA if the trip point is 310 or higher.

Notes:

Dead front captive screw terminals.
12-22 AWG solid or stranded.
Observe polarity.

