



NK Technologies

Authorized Distributor:

WESCHLER INSTRUMENTS

phone: 800-903-9870 440-378-6580

fax: 800-903-9590 440-238-0660

www.weschler.com info@weschler.com



MADE IN
USA

ASX SERIES Current Operated Switches

Applications

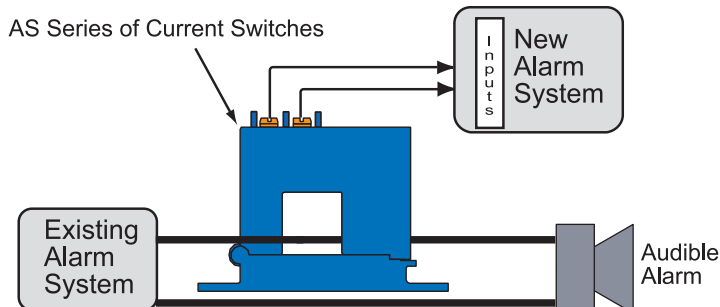
Motor Protection

- Serves as an electronic proof-of-operation; detects current draw changes in motors when they encounter problems such as pumps running dry or pending bearing failure.
- Non-intrusive, less expensive to install than differential pressure flow sensors or thermal switches.
- Much quicker response time than Class 10 overload relays.

High Inrush or Temporary Overload Current

- Adjustable start-up/delay timer allows 0–15 second delay to eliminate nuisance trips from high inrush or short overload conditions.

Isolated Alarm System Interfacing



ASX Series Current Operated Switches are high performance current-operated switches with field-adjustable time delay to help minimize nuisance trips during start-up and operation. Designed for motor status applications where setpoint accuracy and repeatability are critical, the ASX Series offers a linear setpoint characteristic and constant hysteresis. Standard features include self-powering, jumper-selectable ranges and a choice of outputs and cases.

Features

Adjustable Start-up/Delay Timer

- Field-adjustable from 0–15 seconds to eliminate nuisance alarms due to start-up inrush or temporary overcurrent conditions.

Choice of N.O./N.C. AC or Universal Outputs

- Contact ratings of 1.0A @ 240VAC or universal outputs of 0.15A @ 240VAC/VDC (N.O. models) and 0.2A @ 135VAC/VDC (N.C. models) for use with most standard motor control systems.

Improved Ease of Installation and Use

- 1.0A AC rating eliminates need for time delay relay.
- Self-powered, split-core models simplify installation.
- Status LED provides visual indication of setpoint trip and contract action.

Industrial Grade Performance

- Constant hysteresis and linear response characteristic enhance setpoint accuracy.

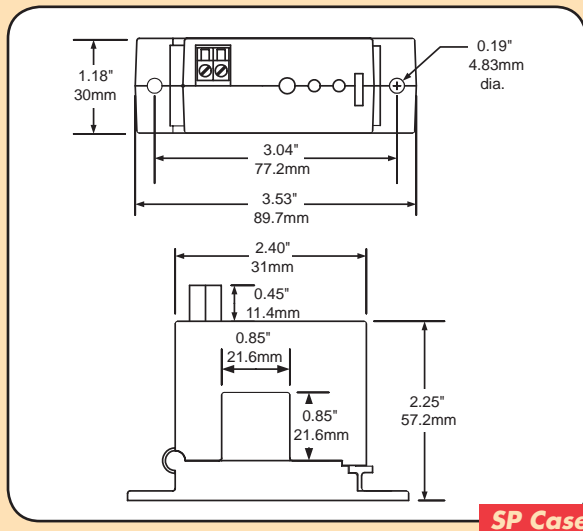
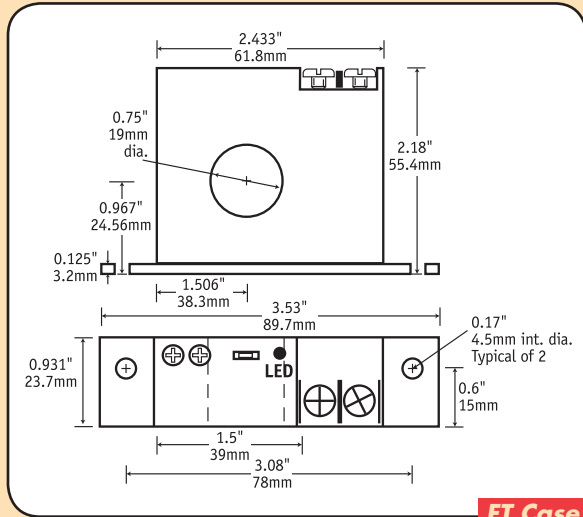
Agency Approved

- UL listed, CE pending.

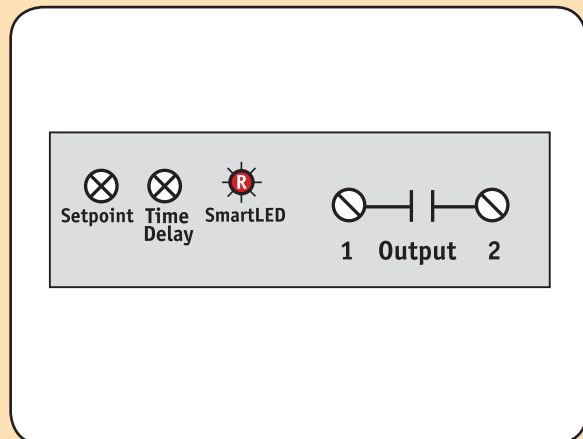


NK Technologies

Dimensions



Connections



Specifications

Power Supply	None—Self powered
Output	Isolated Solid-State Switch
Output Rating	<ul style="list-style-type: none"> ● NOAC/NCAC: 1A @ 240VAC ● NOU: 0.15A @ 240VAC or VDC ● NCU: 0.2A @ 135VAC or VDC
Off State Leakage	<10 micro Amps
Response Time	Adjustable 0.2 to 15 Seconds
Setpoint Range	Jumper Selectable: 1.5–12A, 12–55A, 50–200A
Hysteresis	5% (constant)
Overload	<ul style="list-style-type: none"> ● 1.5–12A Range: 600A max. ● 12–55A Range: 800A max. ● 50–200A Range: 1,200A max.
Isolation Voltage	5,000VAC (tested)
Frequency Range	50–100Hz
Case	UL94 V0 Flammability Rated
Environmental	5 to 122°F (-15 to 50°C) 0–95%RH, non-condensing
Listings	UL 508 Industrial Control Equipment (USA & Canada)*, CE pending.

*Consult factory for UL Listed models.



Ordering Information

Sample Model Number: ASX-NOAC-SP

Current Switch w/adjustable time delay, N.O. 1.0A @ 240VAC output, jumper selectable input ranges, split-core enclosure.



(1) Output Type

NOAC	Normally Open, 1A @ 240VAC
NCAC	Normally Closed, 1A @ 240VAC
NOU	Normally Open, 0.15A @ 240VAC/VDC
NCU	Normally Closed, 0.2A @ 135VAC/VDC

(2) Case Style

FT	Solid-core
SP	Split-core