

AS1 SERIES

Current Operated Switches

AS1 Series Current Operated Switches combine a current transformer, signal conditioner and limit alarm into a single package for use in status monitoring or proof of operation applications. Offering an extended set point range of 1–150A and universal, solid-state outputs, the self-powered AS1 can be tailored to provide accurate and dependable digital indication of over-current conditions across a broad range of applications. Available in solid-core enclosure styles or in a split-core case to maximize ease of installation.



Applications

Electronic Proof of Flow

- Current operated switches eliminate the need for multiple pipe or duct penetrations and is more reliable than electromechanical pressure or flow switches.

Conveyors

- Detects jams and overloads.
- Interlocks multiple conveyor sections.

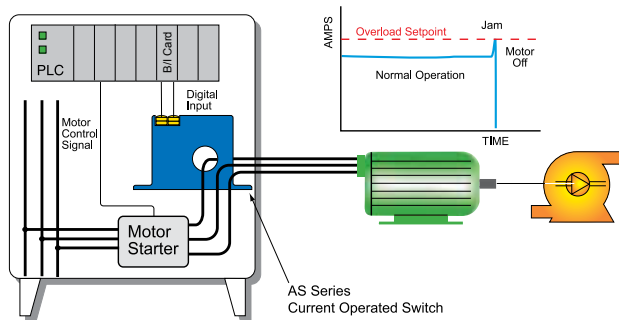
Lighting Circuits

- Easier to install and more accurate than photocells.

Electrical Heaters

- Faster response than temperature sensors.

Pump Jam & Suction Loss Protection



For additional Sample Output/Power Supply or Application Illustrations, see Supplemental Illustrations on page A80.

Features

Universal Output

- N.O. or N.C. solid state switch for control circuits up to 240VAC/DC.
- Compatible with most automation systems.

Self-powered

- Cuts installation and operating costs.

Easily Adjustable Setpoint

- Speeds startup.

Solid or Split-core Case

- Versions tailored for each installation.

LED Indication

- Provides quick visual indication of contact status.

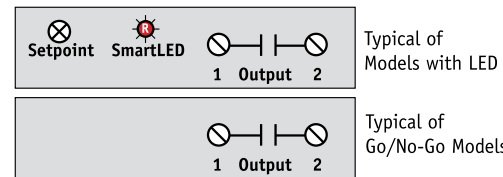
Built-in Mounting Feet

- Simple, two-screw panel mount or attach with optional DIN-rail brackets.

UL, CUL and CE Approval

- Accepted worldwide.

Connections



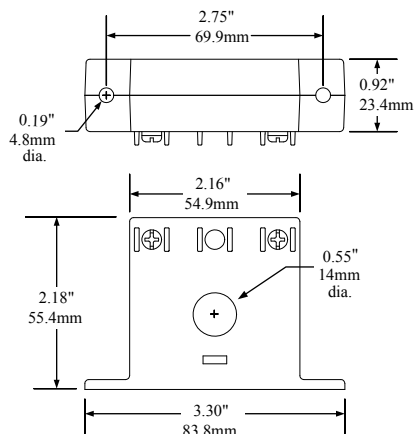
Test & Evaluation Units
For OEMs
 Free program expedites evaluation process.
 See page 1 for details.

Authorized Distributor:
WESCHLER INSTRUMENTS
 phone: 800-903-9870 440-378-6580
 fax: 800-903-9590 440-238-0660
 www.weschler.com info@weschler.com

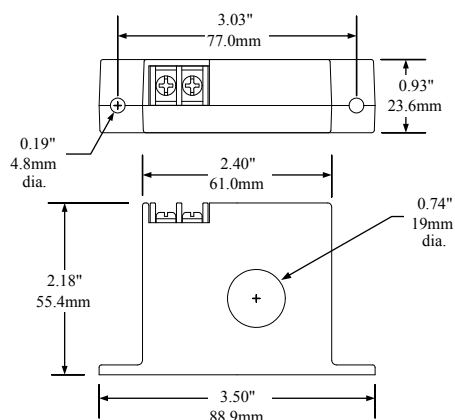


Dimensions

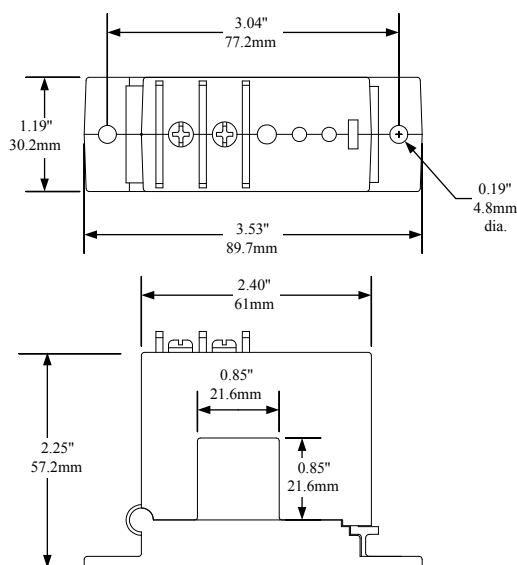
FF Case



FT Case



SP Case

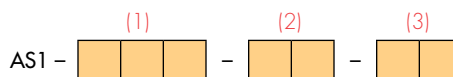


Specifications

Power Supply	None—Self-powered		
Output	Magnetically Isolated Solid-State Switch		
Output Rating	<ul style="list-style-type: none"> N.O. Version: 0.15A @ 240VAC or VDC N.C. Version: 0.2A @ 135VAC or VDC Not polarity sensitive 		
Off-State Leakage	<10µA		
Response Time	120 ms		
Setpoint Range	<ul style="list-style-type: none"> Solid-core: 1–150A (adjustable) Split-core: 1.75–150A (adjustable) 		
Hysteresis	5% of Setpoint		
Overload	MODEL	6 SEC	1 SEC
	-GO(NOU)	• 500A	• 1000A
	-GO(NCU)	• 400A	• 1000A
	All other	• 400A	• 1000A
Isolation Voltage	UL Listed to 1270VAC, tested to 5000VAC		
Frequency Range	6–100Hz		
Sensing Aperture	<ul style="list-style-type: none"> -FF Case: 0.55" (14mm) dia. -FT Case: 0.74" (19mm) dia. -SP Case: 0.85" (21.6mm) sq. 		
Case	UL94 V0 Flammability Rated		
Environmental	-58 to 122°F (-20 to 50°C) 0–95% RH, non-condensing		
Listings	UL 508 Industrial Control Equipment (USA & Canada)		

Ordering Information

Sample Model Number: AS1-NOU-SP
Adjustable AC current operated switch, normally open, split-core.



(1) Output Rating

NOU	Normally Open
NCU	Normally Closed

(2) Case Style

FF	Solid-core, Front Term.
FT	Solid-core, Top Term.
SP	Split-core

(3) Options

GO	Solid-core 0.75–250A Split-core 1.25–250A
NL	No LED
	With LED (Blank)

