

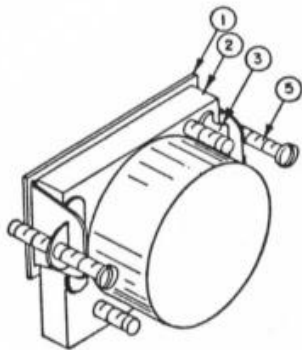


# INSTALLATION MANUAL

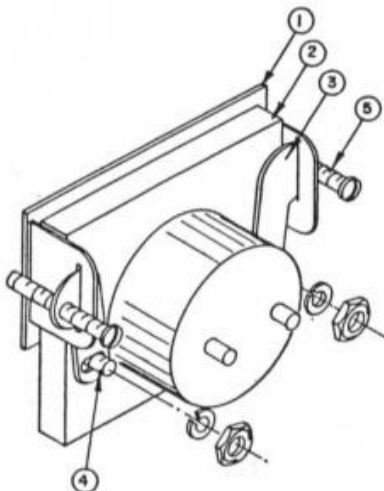
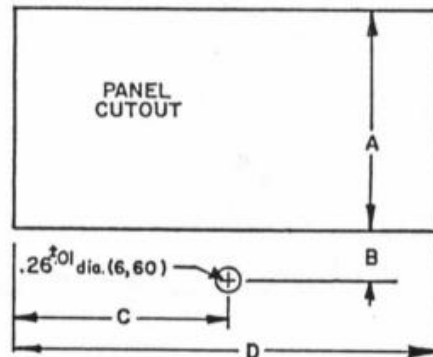
956-358C  
4/98

## BEZEL MOUNTING INSTRUCTIONS FOR MODELS 7025, 7035, 7045 & 7055

1. Place bezel (1) through panel.
2. Place meter (2) behind panel and locate on bezel.
3. Place brackets (3) on meter with slot over mounting studs (4).  
[Models 7045 and 7055 only.]
4. Slide brackets through slots in side of bezel. Secure brackets  
(Models 7045 and 7055 only).
5. Insert screws (5) in brackets and run down tight against panel.



MODELS 7025, 7035



MODELS 7045, 7055

DIM	MODEL 7025	MODEL 7035	MODEL 7045	MODEL 7055
A	1.592 <sup>+0.015</sup> (40,44)	2.156 <sup>+0.030</sup> -0.000 (54,76)	2.75 <sup>+0.03</sup> -0.00 (69,85)	3.156 <sup>+0.030</sup> -0.000 (80,16)
B	.385 <sup>±0.01</sup> (9,78)	.44 <sup>+0.01</sup> (11,17)	.63 <sup>+0.03</sup> (16,00)	.64 <sup>+0.030</sup> (16,25)
C	1.500 <sup>+0.008</sup> (38,10)	1.859 <sup>+0.015</sup> -0.000 (47,21)	2.406 <sup>+0.015</sup> -0.000 (61,11)	2.937 <sup>+0.015</sup> -0.000 (74,60)
D	3.000 <sup>±0.015</sup> (76,20)	3.718 <sup>+0.030</sup> -0.000 (94,45)	4.812 <sup>+0.030</sup> -0.000 (122,22)	5.875 <sup>+0.030</sup> -0.000 (149,22)

DIMENSIONS IN PARENTHESIS ARE IN  
MILLIMETERS



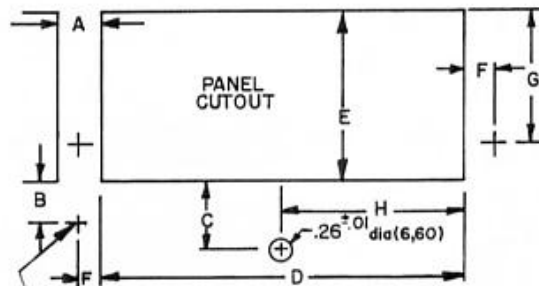
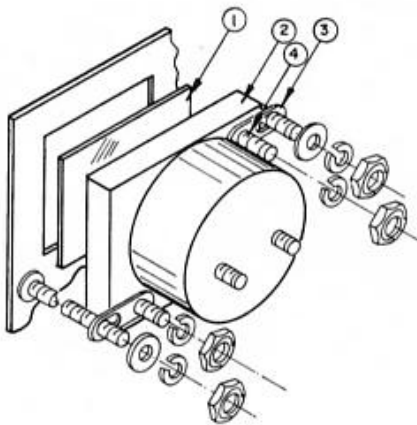
# INSTALLATION MANUAL

## Lens Mounting Instructions Models 7025, 7035, 7045, 7055

956-359A  
5/98

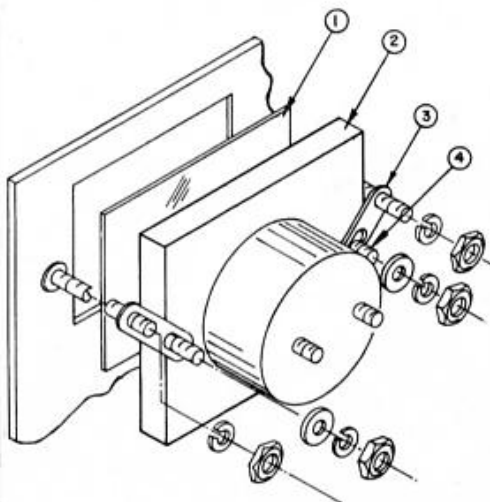
NOTE: Panel studs (not supplied by LFE) are weld studs similar to Ohio Nut & Bolt Co. #1114.

1. Place lens (1) into panel from rear.
  2. Place meter (2) behind panel and locate on lens.
  3. Place brackets (3) on meter and panel studs with slot over meter studs (4).
- NOTE: On Models 7025 & 7035 place slot over panel studs.
4. Secure with mounting hardware.



STUD MOUNTING FOR MODELS 7025 & 7035  
OPTIONAL STUD LOCATION MODELS  
7045 & 7055 FOR MIN. METER TO METER MOUNT. (A

MODELS 7025 & 7035



MODELS 7045 & 7055

DIM	MODEL 7025	MODEL 7035	MODEL 7045	MODEL 7055
A	.86 (21,84)	.86 (21,84)	.80 (20,3)	.80 (20,3)
B	.260 ± .025 (6,60)	.910 ± .025 (23,11)	.475 ± .025 (12,06)	.360 ± .025 (9,14)
C	.59 ± .01 (14,98)	.76 ± .01 (19,30)	.95 ± .01 (24,13)	.98 ± .01 (24,89)
D	2.400 ± .015 (60,96)	3.105 ± .015 (78,86)	4.205 ± .015 (106,80)	5.240 ± .015 (133,09)
E	1.180 ± .015 (29,97)	1.515 ± .015 (38,48)	2.125 ± .015 (53,97)	2.500 ± .015 (63,50)
F	.390 ± .025 (9,90)	.400 ± .025 (10,16)	.400 ± .025 (10,16)	.390 ± .025 (9,90)
G	.390 ± .025 (9,90)	.175 ± .025 (4,44)	1.725 ± .025 (43,81)	2.220 ± .025 (56,38)
H	1.200 ± .008 (30,48)	1.552 ± .008 (39,42)	2.102 ± .008 (53,39)	2.620 ± .008 (66,54)

DIMENSIONS IN PARENTHESIS ARE IN MILLIMETERS.