

Authorized Distributor:

WESCHLER INSTRUMENTS

phone: 800-903-9870 440-378-6580

fax: 800-903-9590 440-238-0660

www.weschler.com info@weschler.com

Model 2

Current Transformer Window Diameter 1.00", 1.13"

Application

Generally for ammeter use only

Frequency

50-400 Hz

Insulation Level

600 Volts, 10 kV BIL full wave

Rating Factor

1.0 @ 30°C amb.

Flexible leads are UL 1015, 105°C.

CSA approved.

#16 AWG, 24" long.

Non-standard length to be specified.

Terminals are brass studs No. 8-32 with one flat washer, lockwasher and regular nut.

SHT and SFT case styles also available as SHL and SFL with leads.

Mounting bracket kit 0221B00839 when required for Model 2SHT.

Approximate weight 0.5 lbs.



Model 2DRL Shown



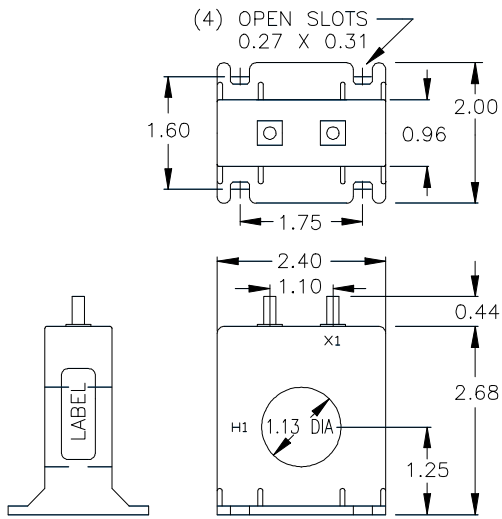
Data Table

Catalog Number	Current Ratio	Models 2SFT, 2SHT, 2RL		Model 2DRL	
		Accuracy At 60 Hz	Burden VA At 60 Hz	Accuracy At 60 Hz	Burden VA At 60 Hz
2*-500	50:5	± 3%	1.5	± 2%	1.5
2*-600	60:5	± 3%	2.0	± 2%	2.0
2*-750	75:5	± 2%	2.0	± 2%	3.0
2*-800	80:5	± 2%	2.0	± 2%	4.0
2*-101	100:5	± 1%	2.0	± 1%	5.0
2*-121	120:5	± 1%	2.5	± 1%	5.0
2*-1250	125:5	± 1%	2.5	± 1%	5.0
2*-151	150:5	± 1%	4.0	± 1%	8.0
2*-201	200:5	± 1%	4.0	± 1%	10.0
2*-251	250:5	± 1%	6.0	± 1%	12.5
2*-301	300:5	± 1%	8.0	± 1%	15.0

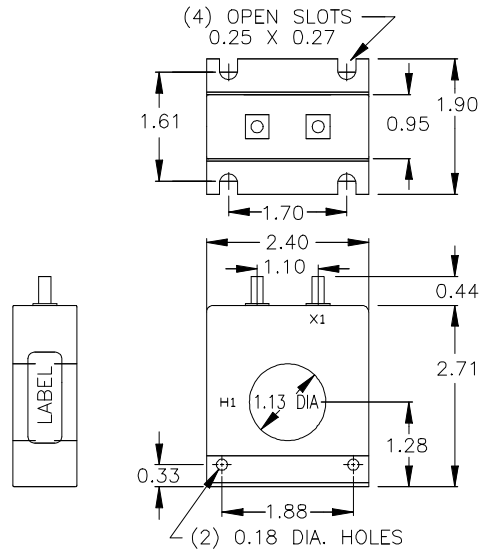
*Note: When ordering, prefix Cat No. with model designation required i.e. 2SFT-301, 2SHT-301, 2RL-301, 2DRL-301, etc.

Models 2SF Models 2SFT, 2SHT, 2DRL

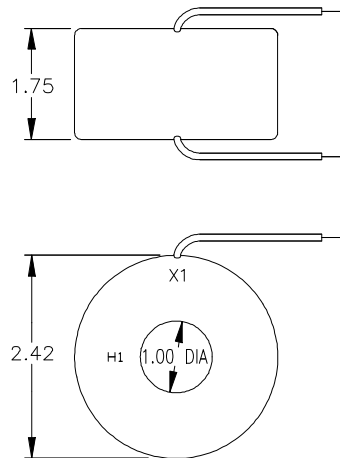
Model 2SFT



Model 2SHT



Model 2DRL



Authorized Distributor:

WESCHLER INSTRUMENTS

phone: 800-903-9870 440-378-6580

fax: 800-903-9590 440-238-0660

www.weschler.com info@weschler.com