

Authorized Distributor:

WESCHLER INSTRUMENTS

phone: 800-903-9870 440-378-6580

fax: 800-903-9590 440-238-0660

www.weschler.com info@weschler.com

Model 76

Current Transformer Window Diameter 3.00"

Application

With ammeters, wattmeters, and cross current compensation.

Frequency

50-400 Hz.

Insulation Level

600 Volt, 10 kV BIL full wave.

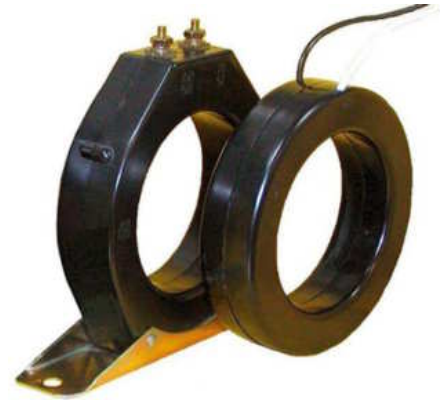
Flexible leads are UL 1015, 105 °C, CSA approved, #16 AWG, 24" long.

Non-standard, lead length can be specified.

Terminals are brass studs No. 8-32 with one flatwasher, lockwasher and regular nut.

SFT case styles also available as SFL with leads.

Approximate weight 1.5 lbs.



Models 76RBT and 76RL Shown



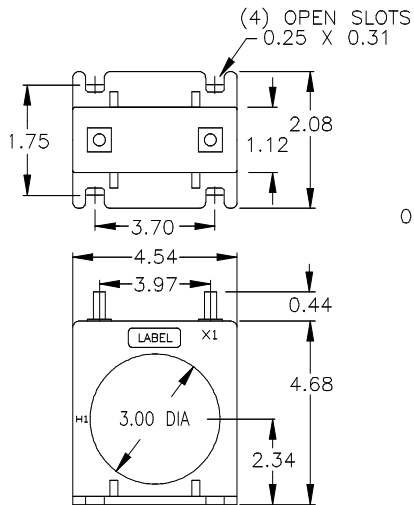
Data Table: Model 76

Catalog Number	Current Ratio	Accuracy at 60 Hz	Burden VA at 60 Hz
76**–201	200:5	± 1%	5.0
76**–251	250:5	± 1%	5.0
76**–301	300:5	± 1%	6.0
76**–401	400:5	± 1%	10.0
76**–501	500:5	± 1%	10.0
76**–601	600:5	± 1%	10.0
76**–751	750:5	± 1%	10.0
76**–801	800:5	± 1%	12.5
76**–102	1000:5	± 1%	10.0
76**–122	1200:5	± 1%	10.0
76**–152	1500:5	± 1%	12.5
76**–162	1600:5	± 1%	12.5
76**–202	2000:5	± 1%	15.0

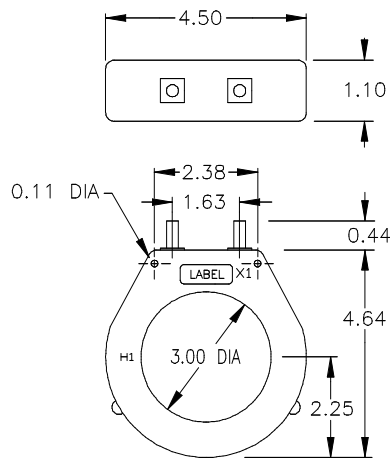
**Note: When ordering, prefix Cat No. with model designation required i.e. 76RL–201, 76RBL–251, etc.

Model 76

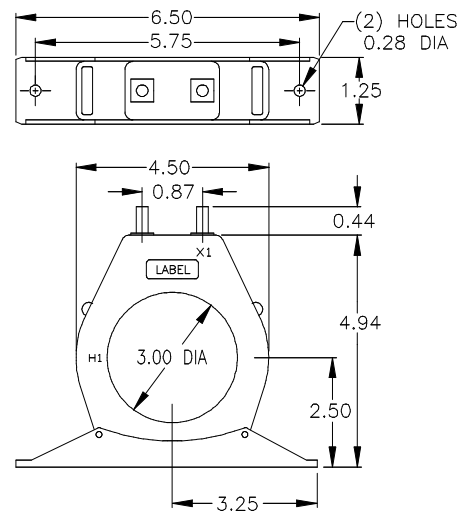
Model 76SFT



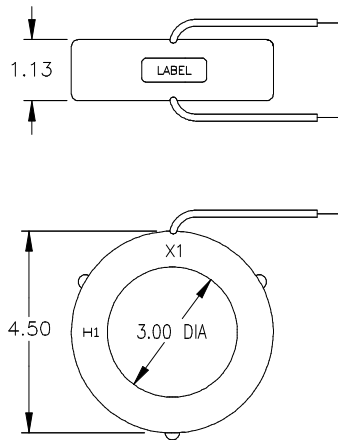
Model 76RT



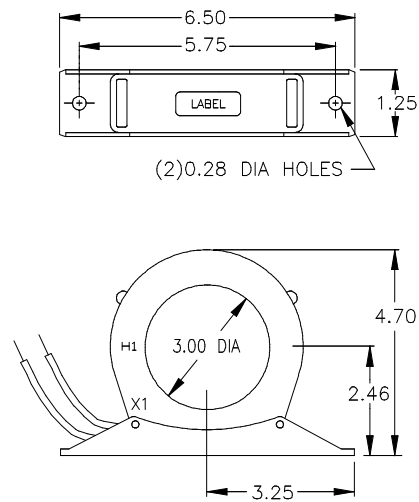
Model 76RBT



Model 76RL



Model 76RBL



Authorized Distributor:

WESCHLER INSTRUMENTS

phone: 800-903-9870 440-378-6580

fax: 800-903-9590 440-238-0660

www.weschler.com info@weschler.com