

**POWER SERIES<sup>Plus</sup>**

**Watt-VAR / Watt-Power Factor**

**Digital Switchboard Meter**

**User's Manual**

## General Description

The POWER SERIES<sup>Plus</sup> digital switchboard meters incorporate the latest DSP microprocessor technology. Careful and thoughtful design has resulted in a family of user-friendly, field-adjustable meters.

When ordering the 2492 meter, the following options are available:

- AC Measuring Function(s): Volts, Amps, Watts, VARs, Power Factor, Phase Angle or Frequency.
- Input Range: 0-120, 0-240V, 0-480V, 0-1 A, 0-5 A, 40-70 Hz
- Wiring Configuration: 1P2W, 1P3W, 3P3W, 3P4W, 3P4W 2 ½ element
- Analog Output Type: 0 to 1mADC, 4 to 20 mADC, or none
- Power Supply: Universal Power Supply (85VAC-265VAC/110VDC-340VDC), 24VDC, or 48VDC.
- Communications: MODBUS comm., ASCII protocol or no comm.

The meter display and output scaling are completely field-adjustable from the front panel. The meter does not need to be re-calibrated after adjusting the display or output scaling. There are no internal parts that the user needs to service or adjust. When a **POWER SERIES<sup>Plus</sup>** meter leaves the factory it will be calibrated to meet or exceed its published specifications.



**SAFETY NOTE:** There are no field-serviceable parts in the unit. If the unit is disassembled for any reason both Auxiliary Power and input voltages and currents must be de-energized.

## **LIMITED WARRANTY**

This meter has been delivered to you after strict quality control and inspection. Weschler Instruments warrants its Equipment to meet applicable specifications and to be free from defects in material and workmanship for a period of one (1) year from date of shipment to the original Purchaser. Upon receipt of prompt notice from Purchaser, referencing the order number and detailing the claimed non-conformity or defect, Seller shall, at its option, repair or replace the Equipment. Equipment returned to Seller will only be accepted with a Returned Material Authorization (RMA) number issued by Seller or one of its authorized representatives. Inbound shipping charges to Seller's factory in Cleveland OH, or other designated facility, are the responsibility of Purchaser. Normal shipping charges for the return to Purchaser of repaired or replacement Equipment shall be the responsibility of the Seller (North American points only).

Repair or replacement of the Equipment in the manner described above is the exclusive warranty remedy and shall constitute complete fulfillment of all Seller's liabilities for breach of this warranty. The Seller assumes no responsibility hereunder for any equipment damage or failure caused by improper installation, operation and maintenance of the Equipment, or normal wear and tear on disposable or consumable parts. This warranty shall be void in the event of unauthorized modification or servicing of the Equipment.

The foregoing warranty is exclusive and in lieu of any other warranties of quality, whether expressed or implied (including any warranty of merchantability or fitness for a particular purpose). In no event shall Seller be liable hereunder for any special, indirect, incidental or consequential damages including the loss of revenue or production.

## Watt / VAR / Power Factor Specifications

PRODUCT FUNCTION: AC Watts/VARS/Power Factor  
1 phase-2 wire, 1 phase-3 wire, 3 phase-3 wire,  
3 phase-4 wire-2½ elements or 3 phase-4 wire-3 elements

ACCURACY: Watts & VARs :  $\pm 0.2\%$  of Reading  $\pm 0.1\%$  of Full Scale  
(Except 0.998 Lead < PF < 0.998 Lag)  
Power Factor:  $\pm 0.05$

MEASUREMENT UPDATES RATE: 250 milliseconds

OPERATING TEMPERATURE RANGE: -20 to +60 °Celsius

STORAGE TEMPERATURE RANGE: -40 to +85 °Celsius

INPUT RANGES: 0-120 VAC or 0-240 VAC or 0-480 VAC  
(Any combination of Volts & Amps) 0-1 Amp AC or 0-5 Amps AC  
0.05 Lead to Unity to 0.05 Lag Power Factor

### TRANSFORMER RATIO RANGES:

Potential Transformer: 1:1 through 9999:1  
Current Transformer: 1:1 through 9999:1  
Combined (PT\*CT): 1:1 through 1666666:1

Displayed WATT and VAR values are Input WATTS (or VARs) \* PT \* CT

ANALOG OUTPUTS (Optional): 0 – 1 mADC            10 VDC compliance into 10 kΩ  
4 – 20 mADC            15 VDC compliance into 750 Ω

ANALOG OUTPUT RESPONSE TIME: within  $\pm 1\%$  of final value within 1.0 sec

### ISOLATION:

Input/Output and Case: 2500 VAC  
Output to Aux. Power: 2000 VAC or 500 VDC for DC powered options  
Aux. Power to Case: 2000 VAC or 500 VDC for DC powered options  
Output to Case: 1000 VAC

## CONFIGURING THE 2492 POWER SERIES<sup>Plus</sup> METER

The POWER SERIES<sup>Plus</sup> can be configured for voltage and current inputs from instrument transformers, as well as analog outputs, Modbus or ASCII protocol Communications parameters and a rolling average display.

All set-up functions can be performed using the four push-buttons (\*1) or via ASCII or Modbus communications.

\*1: Remove the front face plate by removing the four (4) screws recessed in the comers of - the switchboard.



This button starts all operations. When viewing or changing settings it is used to back out of a mode.

This button, when viewing or changing settings, moves between settings or between digits.

This button will increment the value being changed. It is also used to display Max readings.

This button, when viewing or changing settings, is used to select a mode, save it, and then move to the next mode in the sequence. It is also used to display Min readings.

All button operations are begun with the **Mode** button.

To see the Min or Max, push the **Mode** button and then the button of the reading you want to see – **Min** or **Max**. The values will display for ten (10) seconds before reverting to the normal display. If you want to reset the values, push the **Min** or **Max** button again before the 10 seconds has expired.

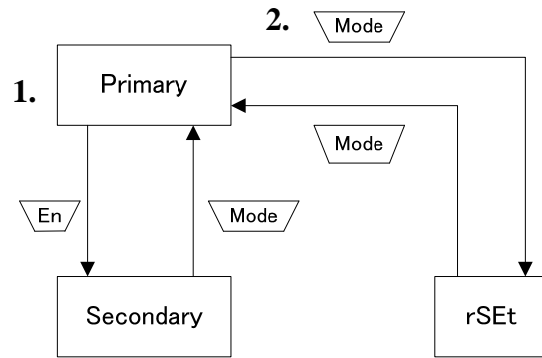
To view the configuration settings, press **Mode** twice (**Mode** – **Mode**) and then press **Set**. The first setting – the Primary Transformer (PT) ratio - will be displayed.. To see the other settings, press **Next**. You can scroll through all the settings by pressing **Next**. To go back to normal operations, press **Mode**. To change the setting being shown, press **Set**. See the specific sections on the following pages for details on how to change the settings. Once a setting is changed it will advance to the next setting. At any point while changing settings, pressing **Mode** will exit the mode without changing anything.

# Main Display

Chart one

1. Normal meter operation displays the **Primary** value. To display the **Secondary** (actual meter input at the rear terminals) value press the **Enter** key. The meter will return to normal operation after forty (40) seconds or when the **Mode** key is pressed
2. To change (reset) the meter scaling press the **Mode** key. The meter will display the “rSEt”, to continue refer to Chart Two. To return to normal operation press the **Mode** key again.

Chart One

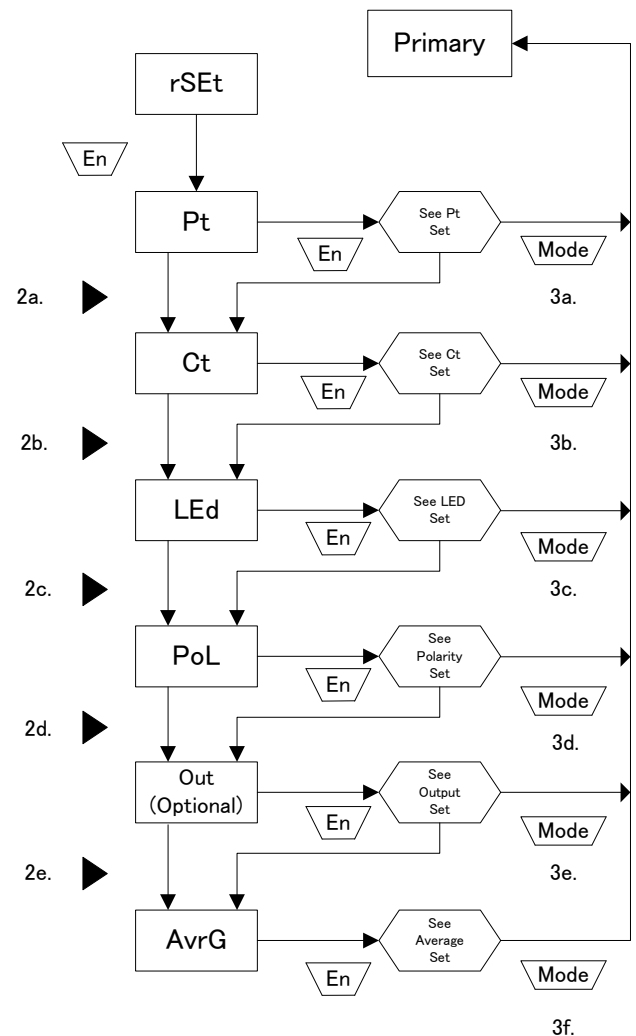


# Parameter Display

Chart Two

1. To get to the parameters menu from “rSEt” press the **Enter** key. The display will show the first parameter heading for that particular meter type, in the case “**PT**”.
2. From the parameter heading press the **Enter** key and refer to the applicable chart. For example, to change a PT ratio refer to the chart labeled “**PT**”. To go directly to the next parameter heading press the **Right** key. Keep pressing the **Right** key until you have reached the parameter to be changed.
3. From the parameter heading the **Mode** key will return the user to the Primary display.

Chart Two

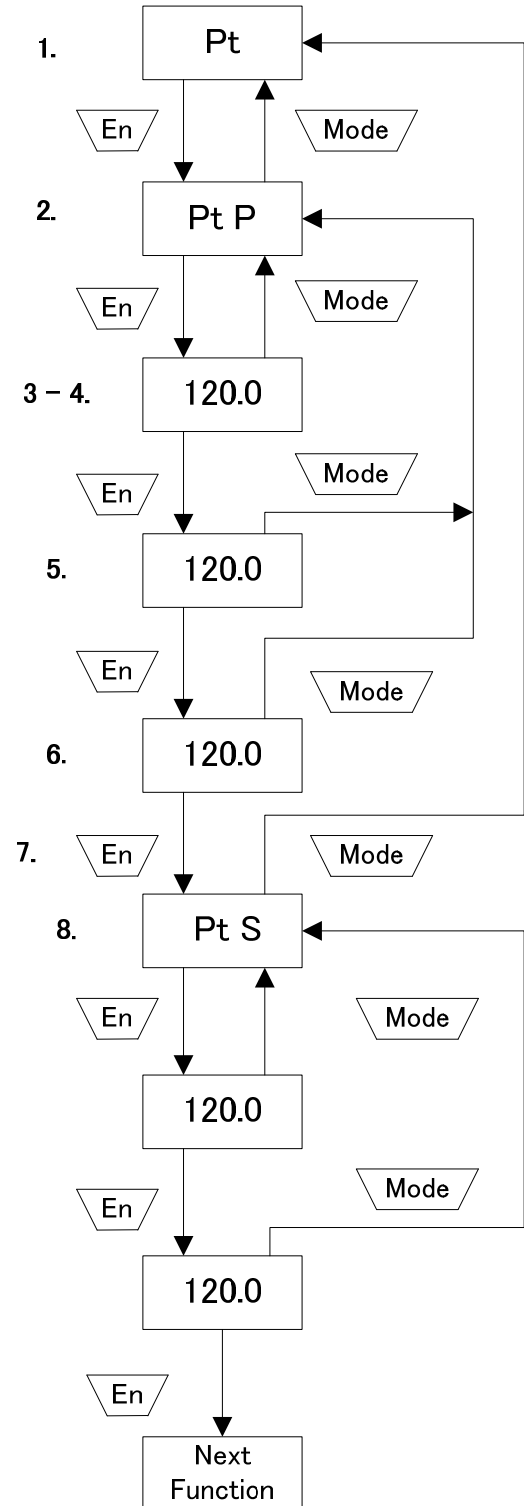


## PT Setting

1. From the PT heading press the Enter key to access the PT primary heading "Pt".
2. Press the **Enter** key again to access the active or current PT primary value. This number can be a PT ratio (480:120) or a simplified ration (4:1).

Note: The PT Secondary can only be "120.0" ("240.0", "480.0") or "1.000". Complex ratios have to be addressed while entering the Primary of the Potential Transformer ratio.

3. The most significant digit (MSD) will be flashing. Press the **Up** key until the flashing digit equals the MSD of the primary ratio.
4. Press the **Right** key. The next MSD will flash. Repeat steps 3 & 4 until the primary ratio is correct.
5. Press the **Enter** key. The decimal point will flash. Use the **Up** key to move the decimal point into the correct position.
6. Press the **Enter** key. An LED will flash. Use the **Up** key to select the correct engineering units (Volts or Kilovolts) for this application.
7. Press the **Enter** key. The new primary ratio, decimal point and LED will flash. If this is correct, press the Enter key again. If not, press the **Mode** key to return to the PT Ratio heading.
8. The display reads "Pt S". Press **Enter** and the active PT secondary is displayed. This will be "120.0" ("240.0", "480.0") or "1.000". The **Up** key will toggle between these two values. When you have selected the correct transformer secondary value repeat step 7.

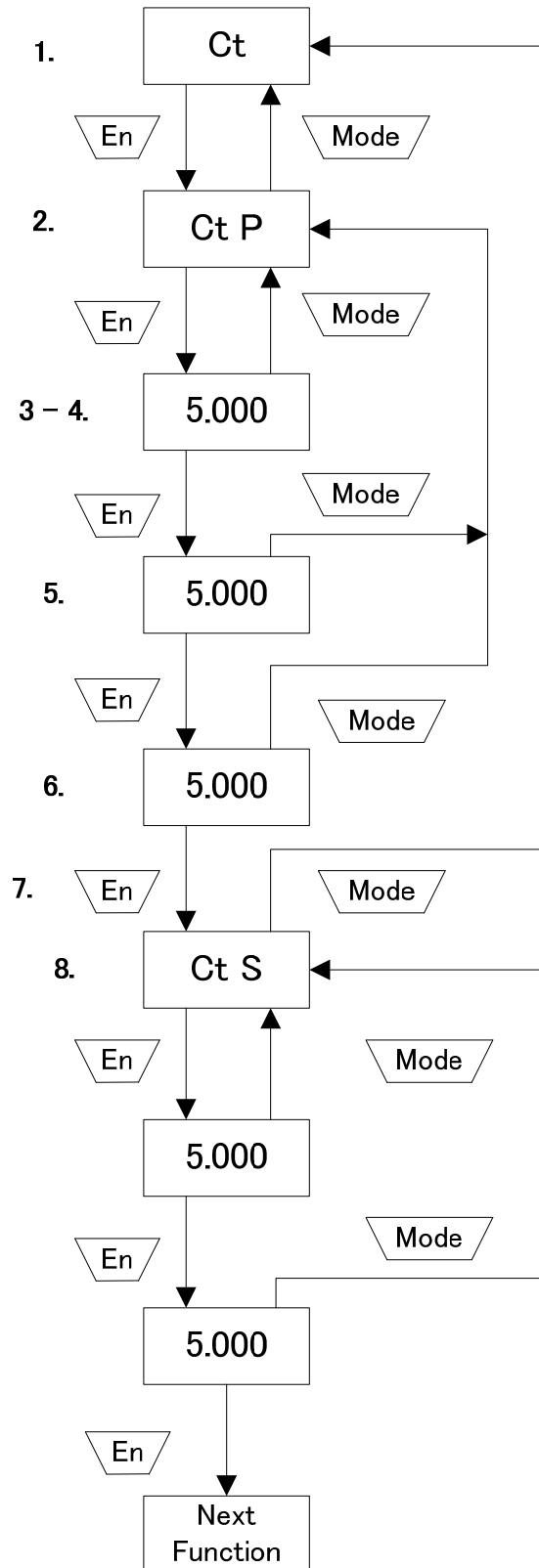


## CT Setting

1. From the CT heading press the **Enter** key to access the CT primary heading “Ct”.
2. Press the **Enter** key again to access the active or current PT primary value. This number can be a CT ratio (50:5) or a simplified ration (10:1).

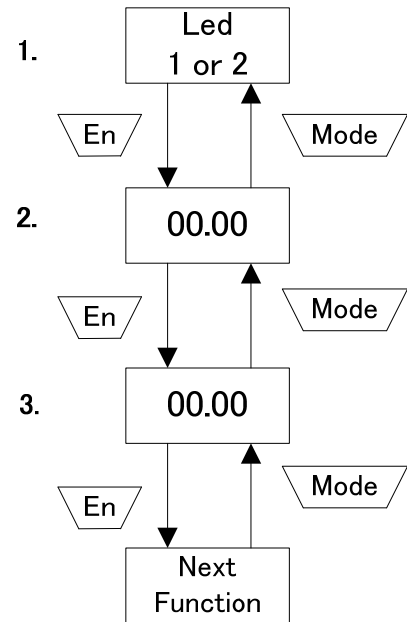
Note: The CT Secondary can only be “5.000” or “1.000”. Complex ratios have to be addressed while entering the Primary of the Potential Transformer ratio.

3. The most significant digit (MSD) will be flashing. Press the **Up** key until the flashing digit equals the MSD of the primary ratio.
4. Press the **Right** key. The next MSD will flash. Repeat steps 3 & 4 until the primary ratio is correct.
5. Press the **Enter** key. The decimal point will flash. Use the **Up** key to move the decimal point into the correct position.
6. Press the **Enter** key. An LED will flash. Use the **Up** key to select the correct engineering units for this application.
7. Press the **Enter** key. The new primary ratio, decimal point and LED will flash. If this is correct, press the **Enter** key again. If not, press the **Mode** key to return to the CT Ratio heading.
8. The display reads “Ct S”. Press **Enter** and the active CT secondary is displayed. This will be “120.0” (“240.0”, “480.0”) or “1.000”. The **Up** key will toggle between these two values. When you have selected the correct transformer secondary value repeat step 7.



## LED Setting

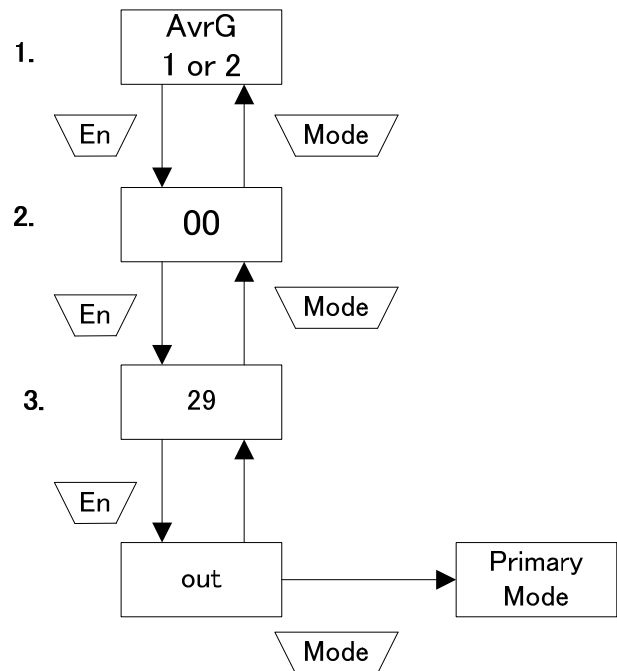
1. From the Led heading press the **Enter** key the default display will appear. Two things will happen when a change is made in this parameter. The front panel LED will change and the decimal point on the display will move to the appropriate position.
2. To change to “**Kilo**” for example press the Enter key and the default display will appear. Press the **Up** key and the LED will increment and the decimal point will move three positions.
3. Press the **Enter** key. The display and LED will flash. If this information is correct, press the Enter key again to approve the change and move to the next parameter. If not, press the **Mode** key to return to the default parameters.



## Moving Average Set

(Sampling Rate)

1. From the **AvrG** display, press the Enter key to see the current sample rate value (00 - 29). The most significant digit (MSD) will be flashing. The **right** arrow key will change the active digit.
2. Use the **Up** arrow key to increment the active digit.
3. Press the **Enter** key to accept the change. The display will flash. Press the **Enter** key again to approve the change. Press the mode key to return to the **AvrG** header



The following Error Codes May appear during the Range Set Mode (rSEt).

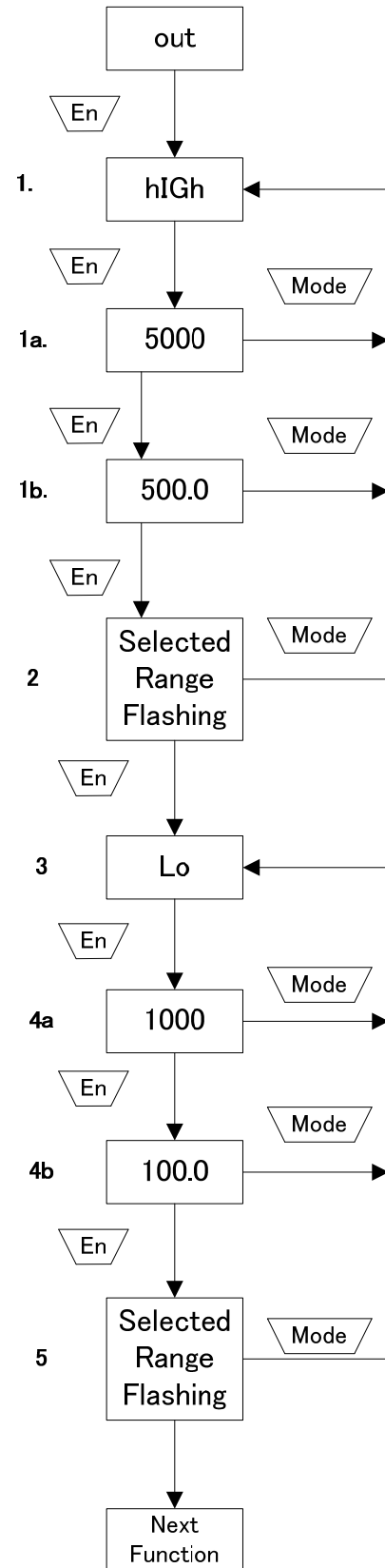
Error Code	Description	Definition
ErrH	Over-range Set	PT, CT ratio or output set is too large.
ErrL	Under-range Set	PT, CT ratio or output set is too small.
ErrS	Improper Span Set	The span selected is too large or too small.



## Analog Output Set

Power Series<sup>plus</sup> meters can be ordered with an optional 4 – 20, 12 ± 8 (also known as 4 – 12 – 20) mADC output or a 0 – 1 mADC output. Refer to the flow chart and the following steps for assistance with this process.

1. From the “out” display press the Enter key. The display will read “high”. This is where you enter the Watts, Vars, Power factor or Phase angle equal to +1 mADC or 20 mADC. Press the Enter key. The display will read “1.000” or the last value entered. The MSD will be flashing. Use the UP key to increment the flashing digit to the desired value. Use the Right key to change to the next MSD. Repeat until finished.
2. The display will flash your selection. If this is correct, press the Enter key. If not, press the Mode key to return to step (1).
3. The display will read “Lo”. This will be the Watts, Vars, Power factor or Phase angle equal to 0 mADC for a 0 -1 mADC output. If you have a 4 – 20 mADC or 12 ± 8 mADC output “Lo” will be equal to 4 mADC. Press the Enter key.
4. The display will read “1.000” or the last value entered. The MSD will be flashing. Use the UP key to increment the flashing digit to the desired value. Use the Right key to change to the next MSD. Repeat until finished.
5. The display will flash your selection. If this is correct, press the Enter key. If not, press the Mode key to return to step four (4).



The following values apply to the POWER SERIES<sup>Plus</sup> Watts, VARs, PF or PA meters:

For Output1 (Watts):

Input	Defaults		LO1 Minimum	HI1 Maximum	Span Minimum
	LO1	HI1			
2Wire 120V 1A	0.0	100.0	-180.0	180.0	50.00
2Wire 240V 1A	0.0	200.0	-360.0	360.0	100.0
2Wire 480V 1A	0.0	400.0	-720.0	720.0	200.0
2Wire 120V 5A	0.0	500.0	-900.0	900.0	250.0
2Wire 240V 5A	0.0	1000	-1800	1800	500.0
2Wire 480V 5A	0.0	2000	-3600	3600	1000
3Wire 120V 1A	0.0	200.0	-360.0	360.0	100.0
3Wire 240V 1A	0.0	400.0	-720.0	720.0	200.0
3Wire 480V 1A	0.0	800.0	-1440	1440	400.0
3Wire 120V 5A	0.0	1000	-1800	1800	500.0
3Wire 240V 5A	0.0	2000	-3600	3600	1000
3Wire 480V 5A	0.0	4000	-7200	7200	2000
4Wire 120V 1A	0.0	300.0	-540.0	540.0	150.0
4Wire 240V 1A	0.0	600.0	-1080	1080	300.0
4Wire 480V 1A	0.0	1200	-2160	2160	600.0
4Wire 120V 5A	0.0	1500	-2700	2700	750.0
4Wire 240V 5A	0.0	3000	-5400	5400	1500
4Wire 480V 5A	0.0	6000	-10.8K	10.8K	3000

For Output2 (VARs):

Input	Defaults		Range Limits	Span Minimum
	LO2	HI2		
2Wire 120V 1A	100.0 lag	100.0 lead	180.0 lag – 0 – 180.0 lead	50.00
2Wire 240V 1A	200.0 lag	200.0 lead	360.0 lag – 0 - 360.0 lead	100.0
2Wire 480V 1A	400.0 lag	400.0 lead	720.0 lag – 0 - 720.0 lead	200.0
2Wire 120V 5A	500.0 lag	500.0 lead	900.0 lag – 0 - 900.0 lead	250.0
2Wire 240V 5A	1000 lag	1000 lead	1800 lag – 0 – 1800 lead	500.0
2Wire 480V 5A	2000 lag	2000 lead	3600 lag – 0 – 3600 lead	1000
3Wire 120V 1A	200.0 lag	200.0 lead	360.0 lag – 0 - 360.0 lead	100.0
3Wire 240V 1A	400.0 lag	400.0 lead	720.0 lag – 0 - 720.0 lead	200.0
3Wire 480V 1A	800.0 lag	800.0 lead	1440 lag – 0 - 1440 lead	400.0
3Wire 120V 5A	1000 lag	1000 lead	1800 lag – 0 – 1800 lead	500.0
3Wire 240V 5A	2000 lag	2000 lead	3600 lag – 0 – 3600 lead	1000
3Wire 480V 5A	4000 lag	4000 lead	7200 lag – 0 – 7200 lead	2000
4Wire 120V 1A	300.0 lag	300.0 lead	540.0 lag – 0 - 540.0 lead	150.0
4Wire 240V 1A	600.0 lag	600.0 lead	1080 lag – 0 – 1080 lead	300.0
4Wire 480V 1A	1200 lag	1200 lead	2160 lag – 0 – 2160 lead	600.0
4Wire 120V 5A	1500 lag	1500 lead	2700 lag – 0 – 2700 lead	750.0
4Wire 240V 5A	3000 lag	3000 lead	5400 lag – 0 – 5400 lead	1500
4Wire 480V 5A	6000 lag	6000 lead	10.8K lag – 0 – 10.8K lead	3000

For Output2 (Power Factor):

Input	Defaults		Range Limits	Span Minimum
	LO3	HI3		
All 0-1 mA units	0.000 Lead	0.000 Lag	0.000 Lag – 1 – 0.000 Lead	0.250
All 4-20 mA units	0.000 Lead	0.000 Lag	0.000 Lag – 1 – 0.000 Lead	0.250

The above values are without any scaling by the PT ratio or CT ratio. If the PT ratio is greater than 1 to 1, than the output setting values for Watts and VARs above must be multiplied by the PT ratio. For example, if the PT ratio is changed to 3 to 1, then all the values in the chart above will be multiplied by 3. Likewise, a change in the CT ratio will proportionally change the values in the chart above. Power Factor is not affected by the transformer ratios.

You cannot set a value lower than the minimum LO or higher than the maximum HI.

The span between the LO and HI must not be smaller than the minimum span. So with a 2 Wire 120V 1A wattmeter, you could set the LO to 0 and the HI to 50. Or you could set the LO to 110 and the HI to 160. But you could not set the LO to 60 and the high to 90. 90 minus 60 is less than 50.

If a value is too low you will get the error “**ErrL**”. If the value is too high you will see the message “**ErrH**”. If the span is not big enough or if the span is too big (goes out of range) the message is “**ErrS**”.

If the input is greater than the HI setting the output will match it until it reaches the limit of the unit. For a 0-1mA unit that limit is 1.06mA. For a 4-20mA unit that limit is 20.96mA. Likewise, if the input drops below the LO setting, the lower end of the output is limited to 3.04mA for a 4-20mA unit. A 0-1mA unit can never go below 0mA.

## **Bus Address & Baud Rate Setting**

1. To change the meter address, enter the Programming mode by pressing the **Mode** key.
2. With rSEt on the display, press the **Enter** key.
3. Press the **▶** key until Addr appears on the display.
4. Press the **Enter** key. The 2 digit address will be displayed.
5. Use the **▶** key to choose the digit to change. Use the **▲** key to increment the digit to the desired value. The address can be set to any value from 01 to 32.

Note: For proper operation, make sure no two units on a network have the same address.

6. Press the **Enter** key twice to save the value and enter the Baud Rate menu (bAud displayed).
7. Press **Enter** again to view the baud rate setting.
6. Press the **▲** key to change the baud rate. Choices are 9600 (default), 4800, 2400 and 1200.
7. Press the **Enter** key twice to save the new setting and return to the main menu.
8. Press the **Mode** key to exit setup and return to normal operation.

## Connection Diagrams – Part 1



All circuits should be de-energized when making connections to the rear terminal block.

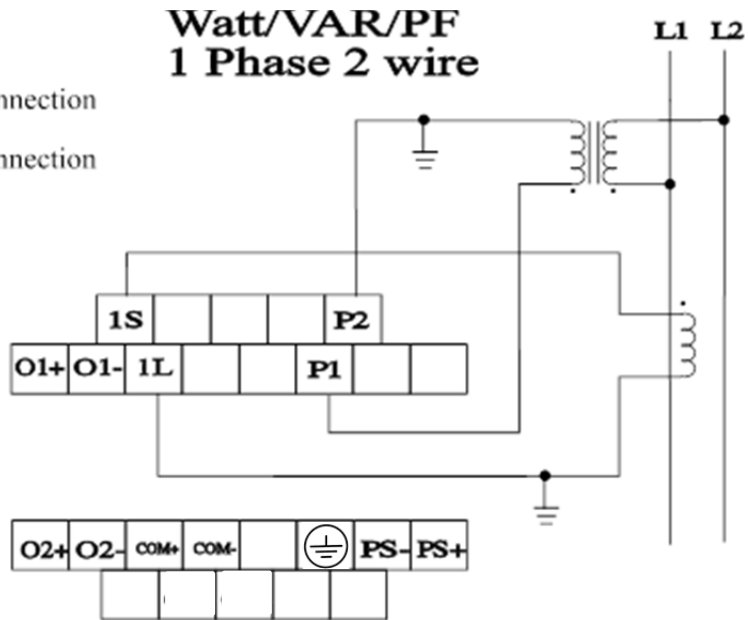
PS+ is the positive Power Supply connection (line voltage for AC supplies).  
PS- is the negative Power Supply connection (neutral for AC supplies).

COM is RS-485 communications.

Analog Outputs

O1: Watts

O2: Vars or Power Factor

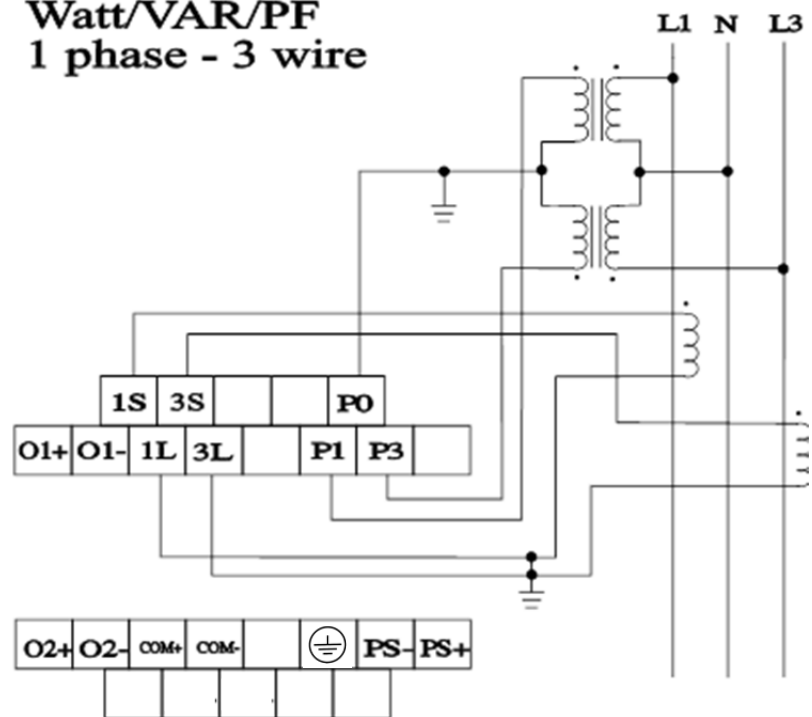


### Watt/VAR/PF 1 phase - 3 wire

Analog Outputs are assigned as follows:

O1: Watts

O2: Vars or Power Factor



## Connection Diagrams – Part 2

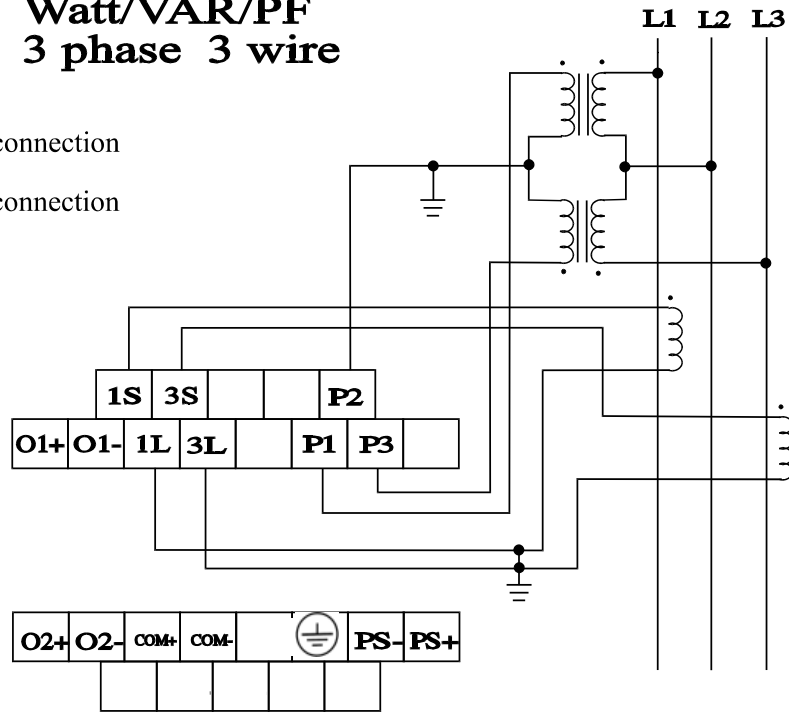


All circuits should be de-energized when making connections to the rear terminal block.

### Watt/VAR/PF 3 phase 3 wire

PS+ is the positive Power Supply connection  
(line voltage for AC supplies).  
PS- is the negative Power Supply connection  
(neutral for AC supplies).

COM is RS-485 communications.



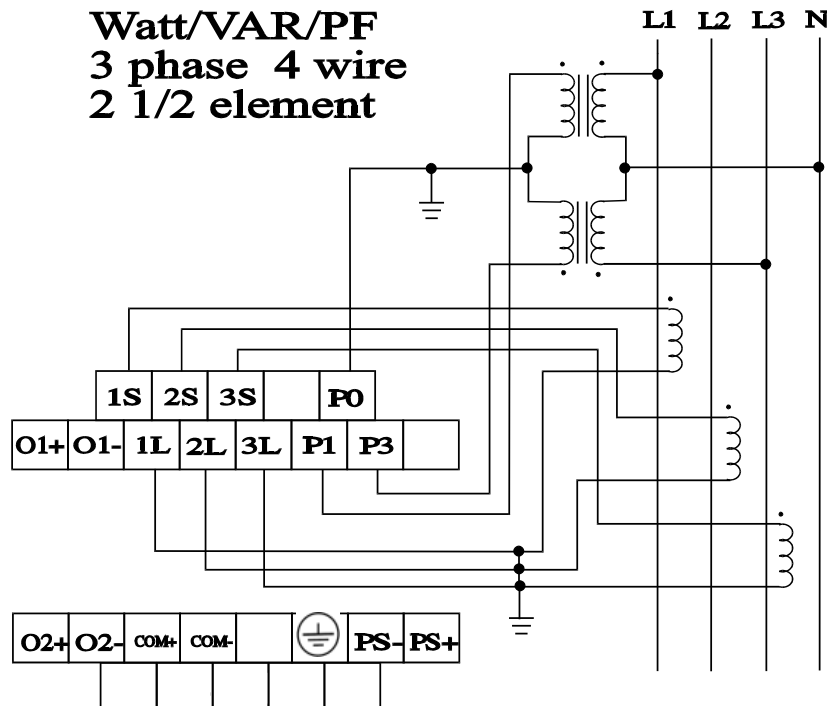
#### Analog Outputs

- O1: Watts
- O2: Vars or Power Factor

### Watt/VAR/PF 3 phase 4 wire 2 1/2 element

Analog Outputs are  
assigned as follows:

- O1: Watts
- O2: Vars or Power Factor



## Connection Diagrams – Part 3



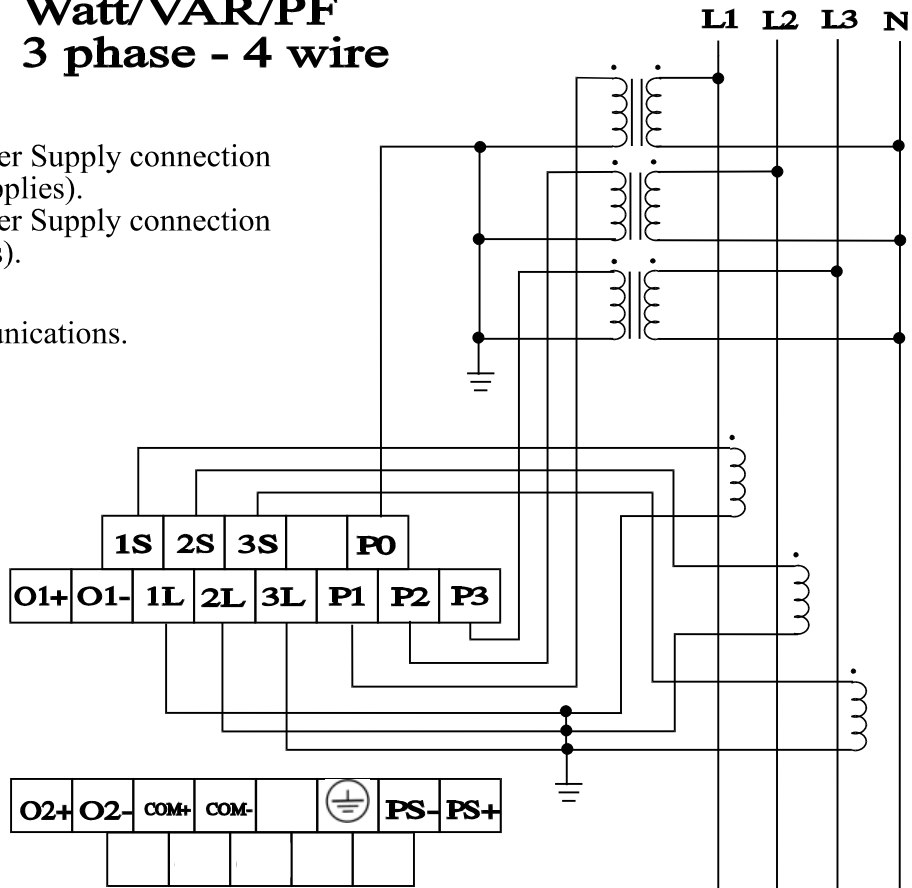
All circuits should be de-energized when making connections to the rear terminal block.

### Watt/VAR/PF 3 phase - 4 wire

PS+ is the positive Power Supply connection  
(line voltage for AC supplies).

PS- is the negative Power Supply connection  
(neutral for AC supplies).

COM is RS-485 communications.

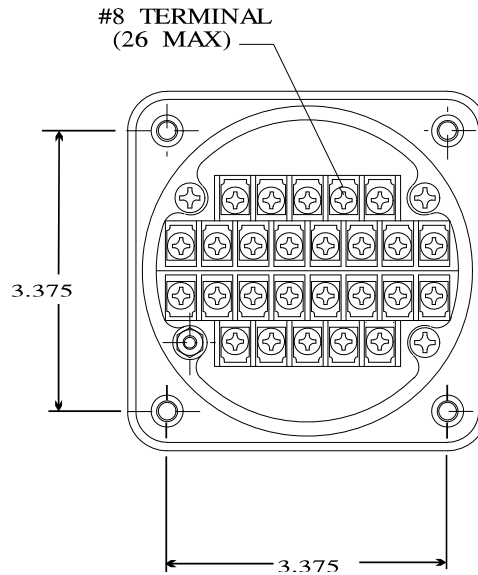
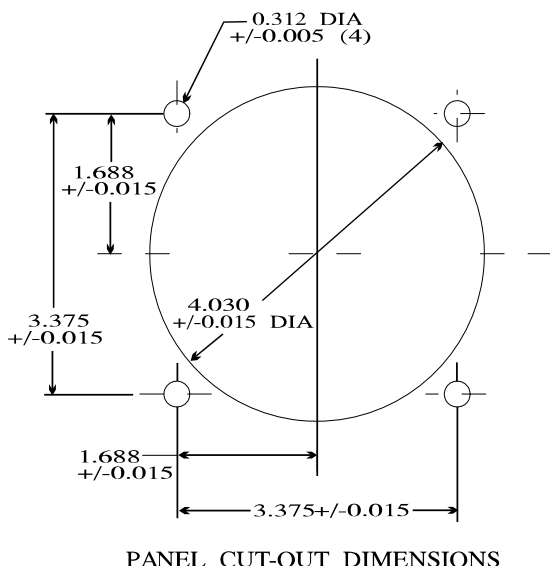
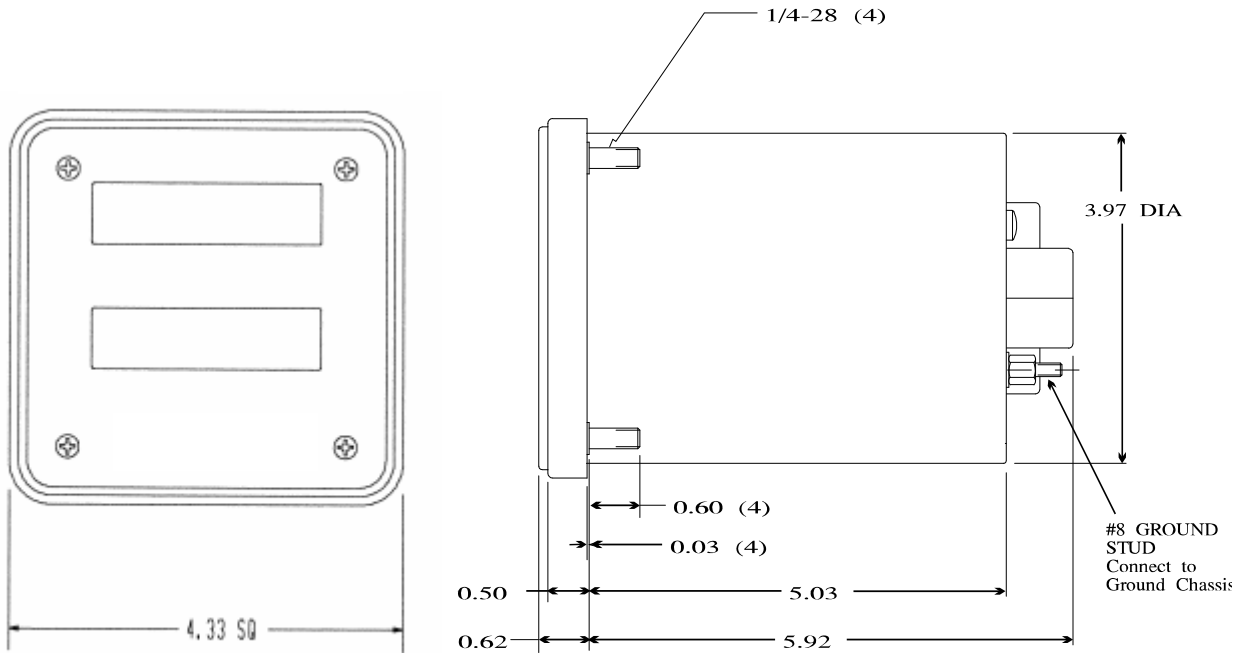


Analog Outputs are  
assigned as follows:

O1: Watts

O2: Vars or Power Factor

# Mounting and Outline



WESCHLER INSTRUMENTS  
 16900 Foltz Pkwy  
 Cleveland OH 44149 USA

800-903-9870  
 info@weschler.com  
 www.weschler.com