

NEW

YOKOGAWA 

Digital Earth Tester

EY200

- Capable to measure by 3-pole or 2-pole method
- Easy to measure with one touch button and dedicated test lead
- Small and lightweight
- Dust and drip proof (designed to IEC60529 IP54)



Standard Accessories below are provided with EY200 !



Earth Spikes



3-pole Test Lead



Soft Case



2-pole Test Lead Set

Yokogawa Meters & Instruments Corporation

LF EY200-EN

Specifications



• Model Code

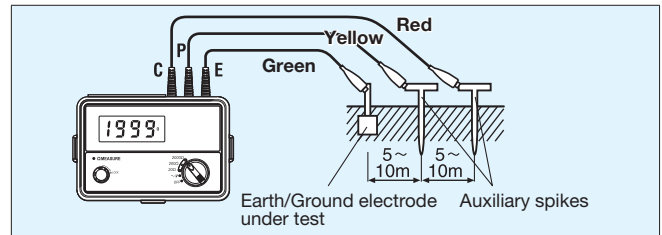
Name	Model
Digital Earth Tester	EY200

• EY200 General Specifications

Display	LCD Digital Display: 1999-count digital reading
Measuring Range	Earth Resistance: 2000Ω LSD: 0.01 to 1Ω Earth Voltage: 200V
Accuracy	Earth Resistance: 20Ω range: ±2%rdg±0.1Ω 200Ω range: ±2%rdg±3dgt 2000Ω range: ±2%rdg±3dgt Earth Voltage: ±1%rdg±4dgt
Measuring Frequency	Approx. 820Hz
Measuring Current	Approx. 3mA (at 20Ω range)
Battery Life	Approx. 4.5hours (at 5 second measuring 3300 times)
Operating Temp. and Humidity	0~40°C, 85%Rh or less
Dimensions	Approx. 105×158×70mm
Weight	Approx. 550g
Standard Accessories	3-pole Test Lead (Model 98074), Earth Spikes (for EY200) (Model 98070), 2-pole Test Lead Set (Model 98075), Soft Case (Model 93041), Shoulder Belt (for EY200) (Model 99018), Six AA (R6) dry cells, User's manual

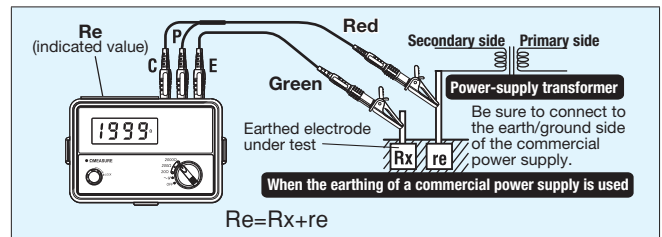
3-pole earth resistance measurement (precise measurement)

Connect the earth/ground electrode (E) and auxiliary spikes (P, C) to the main body using the accessory test lead. Put apart 5 to 10 m between E and P, and P and C, respectively. E, P, and C should be approximately in a line.



2-pole earth resistance measurement (simplified measurement)

A simplified 2-pole measuring method can be used if there is an almost perfectly earth/ground object such as a lead or iron water-pipe (plastic pipes cannot be used) or if there is an object with a known value of earth resistance, near the measurement site.



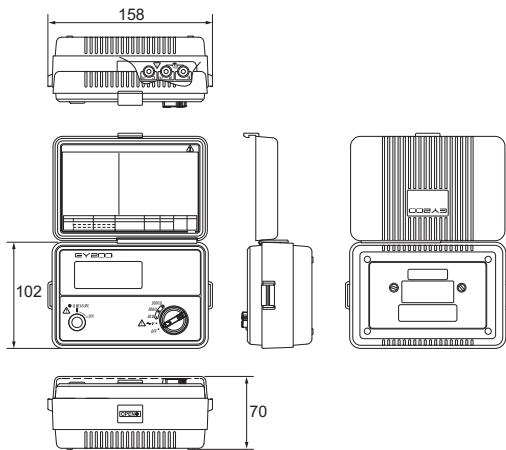
Other Earth Testers

Model 3235 Earth Tester

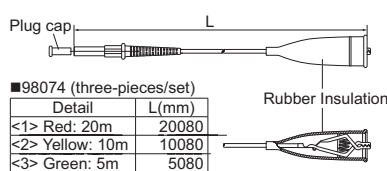


External Dimensions

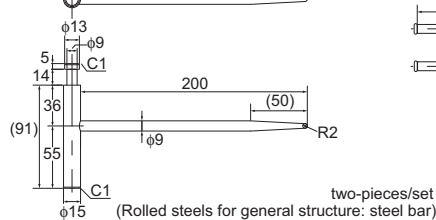
Unit: mm



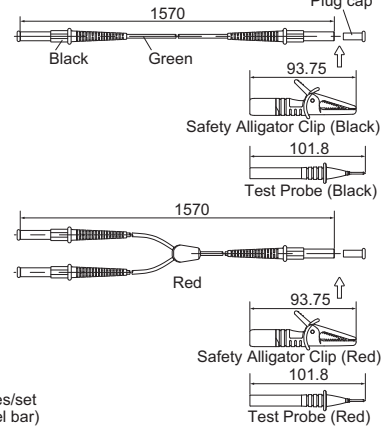
98074



98070



98075



YOKOGAWA 
Yokogawa Meters & Instruments Corporation

World Wide Web site at
<http://www.yokogawa.com/yml>

NOTICE

- Before using the product, read the instruction manual carefully to ensure proper and safe operation.

YOKOGAWA METERS & INSTRUMENTS CORPORATION Tachihi Bld. No.2, 6-1-3 Sakaecho, Tachikawa-shi, Tokyo, 190-8586 Japan
International Sales Dept. Phone: +81-42-534-1413 Facsimile: +81-42-534-1426

YOKOGAWA CORPORATION OF AMERICA (U.S.A.) Phone: +1-770-253-7000
YOKOGAWA EUROPE B. V. (THE NETHERLANDS) Phone: +31-88-4641000
YOKOGAWA ENGINEERING ASIA PTE. LTD. (SINGAPORE) Phone: +65-6241-9933
YOKOGAWA AMERICA DO SUL LTDA (BRAZIL) Phone: +55-11-5681-2400
YOKOGAWA MEASURING INSTRUMENTS KOREA CORPORATION (KOREA) Phone: +82-2-551-0660
YOKOGAWA AUSTRALIA PTY. LTD. (AUSTRALIA) Phone: +61-2-8870-1100
YOKOGAWA INDIA LTD. (INDIA) Phone: +91-80-4158-6000
YOKOGAWA SHANGHAI TRADING CO., LTD. (CHINA) Phone: +86-21-6239-6363
YOKOGAWA MIDDLE EAST B. S. C. (C) (BAHRAIN) Phone: +973-17-358100
YOKOGAWA ELECTRIC CIS LTD. (RUSSIAN FEDERATION) Phone: +7-495-737-7868

Facsimile: +1-770-254-0928
Facsimile: +31-88-4641111
Facsimile: +65-6241-2606
Facsimile: +55-11-5681-4434
Facsimile: +82-2-551-0665
Facsimile: +61-2-8870-1111
Facsimile: +91-80-2852-1441
Facsimile: +86-21-6880-4987
Facsimile: +973-17-336100
Facsimile: +7-495-737-7869

Represented by:

Authorized Distributor:

WESCHLER INSTRUMENTS

phone: 800-903-9870 440-378-6580

fax: 800-903-9590 440-238-0660

www.weschler.com info@weschler.com

MIK-ES17

Subject to change without notice.

All Rights Reserved. Copyright © 2010, Yokogawa Meters & Instruments Corporation.

[Ed: 02/b]

Printed in Japan: Sep 2011(C)/1,000(KP)