



ADTECH

95 Mt. Read Blvd # 149
 Rochester, New York 14611 USA
 Phone: 1.585.698.1845
 Fax: 1.585.697.0445

www.adtech-inst.com

Authorized Distributor:

WESCHLER INSTRUMENTS

phone: 800-903-9870 440-378-6580

fax: 800-903-9590 440-238-0660

www.weschler.com info@weschler.com

LOOP POWERED
 INDICATORS
 MODEL NOS. LPI 25 LPI 30
 LPI 40 LPI 40D

THE ADTECH LPI SERIES OF LOOP POWERED LCD INDICATORS PROVIDE USER CONFIGURABLE IDEAL SOLUTIONS FOR PROCESS INDICATION.

THE UNITS ACCEPT A PROCESS INPUT SIGNAL OF 4-20 MA DC AND PROVIDE A 3 1/2 DIGIT, 7 SEGMENT 0.5" LCD DISPLAY.

THE 4-20 MA SIGNAL MAY BE FROM A TWO-WIRE OUTPUT LOOP OR AN OUTPUT OF THREE-WIRE OR FOUR-WIRE TRANSMITTERS.

POWER IS DERIVED FROM THE INPUT SIGNAL WITH NO EXTERNAL POWER SOURCE REQUIRED.

THE 3 1/2 DIGITS MAY DISPLAY 4-20 MADC (4-19.99) OR ENGINEERING UNITS SUCH AS °C OR °F, ETC. THE OUTPUT MAY ALSO BE DISPLAYED AS 0-100% SELECTABLE WITH A SIMPLE JUMPER THROUGH 4 DECIMAL POINTS.

ZERO AND SPAN CONTROLS ARE PROVIDED BY TWO SEPARATE INFINITE RESOLUTION POTENTIOMETERS. JUMPERS ARE PROVIDED FOR DECIMAL POINT POSITION AND DISPLAY RANGE.

FOUR CONFIGURATIONS ARE OFFERED:

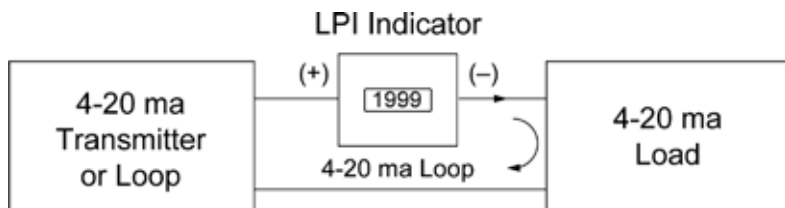
- LPI 25 NEMA 4X HOUSING
- LPI 30 NEMA 7 EXP. HOUSING
- LPI 40 NEMA 7 EXP HOUSING WITH INTEGRAL 100 SERIES 2-WIRE TRANSMITTER
- LPI 40D NEMA 7 EXP HOUSING WITH INTEGRAL 200 OR 300 SERIES TRANSMITTERS

Local (Field) Indication of:

- Flow
- Pressure
- Temperature
- Level
- Speed
- AC Signals

TYPICAL APPLICATIONS AND AVAILABLE STICK-ON TAG

%	°F	°C	RPM	MA
GALS	GPM	GPH	GPD	MGD
LITR	LITR/ S	LITR/ M	LITR/ H	X100
LBS	LBS/ S	LBS/ M	LBS/ H	X 1000
GM	GM/S	GM/M	GM/H	X10
KG	KG/S	KG/M	KG/H	
BTU	BTU/ H	KCAL	KCAL /H	
FT ³	FT ³ /S	FT ³ /M	FT ³ /H	FT
M ³	M ³ /S	M ³ /M	M ³ /H	
BAR	BAR/ M	BAR/ H	BAR/ D	

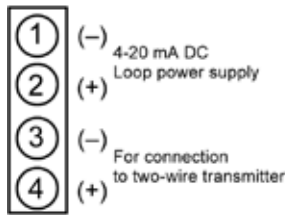


FEATURES

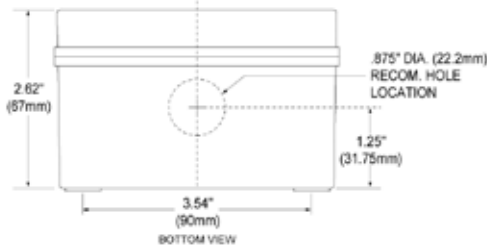
- DC CURRENT INPUT: 4-20 MA
- REPEATABILITY: ±1 COUNT
- TEMPERATURE STABILITY: ±0.01 5% / °C
- 0.5" LCD - 7 SEGMENT DISPLAY
- NO EXTERNAL POWER



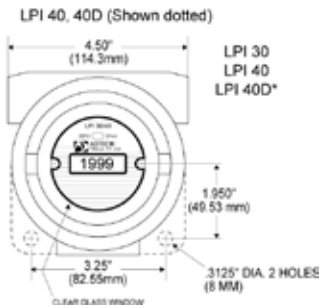
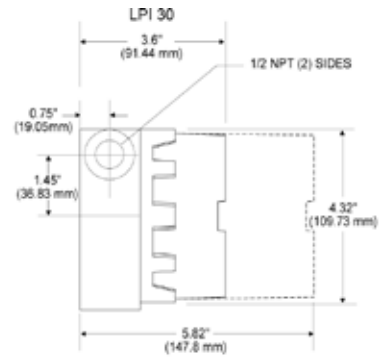
CONNECTIONS / DIMENSIONS



NOTE: On the LPI 25 & 30, terminals 3&4 are factory jumpered.



*NOTE: The LPI 40D is 6.60 (167.6) high, the base is 5.00 (127.0) square



INPUT/OUTPUT

INPUT
4-20 MADC, 2.3 VDC MAXIMUM INPUT BURDEN

NOTE: REVERSE POLARITY PROTECTED AND OVER CURRENT PROTECTED TO 30 MADC.

OUTPUT
LCD DISPLAY
3.5 DIGITS, 7 SEGMENT 0.5"
(12.7MM) HIGH

PERFORMANCE

CALIBRATION: $\pm 0.1\%$ OF READING ± 1 COUNT.
ACCURACY: ± 3 COUNTS
REPEATABILITY: ± 1 COUNT
TEMPERATURE STABILITY: $\pm 0.015\%$ / °C MAXIMUM
OVERRANGE: 3 LEAST SIGNIFICANT DIGITS BLANK OUT.
RESPONSE TIME: 2.5 READINGS PER SECOND
TEMPERATURE RANGE: -30° TO 80°C (-22° TO 176°F) OPERATING.
-40° TO +85°C (-40° TO 185°F) STORAGE.
DECIMAL POINT: 3 POSITION (1/1,000, 1/100, 1/10 AND 1); SELECTED BY TWO (2) JUMPERS.
RANGE ADJUSTMENTS: ZERO: -2000 TO +1750 COUNTS. EACH SELECTABLE IN EIGHT (8) RANGES.
SPAN: 0 TO 4000 COUNTS.

POWER

NONE: LOOP POWERED, 2.3 VDC MAXIMUM INPUT BURDEN

MECHANICAL

ELECTRICAL CLASSIFICATION:
LPI 25 NEMA 4X
LPI 30 EXPLOSION PROOF: CLASS 1, GROUP B, C & D
LPI 40 EXPLOSION PROOF: CLASS 1, GROUP B, C & D
LPI 40D EXPLOSION PROOF: CLASS 1, GROUP B, C & D
CONNECTIONS: SCREW COMPRESSION TYPE.
ACCEPTS UP TO 14 AWG WIRE.

CONTROLS: MULTITURN POTENTIOMETERS FOR ZERO AND SPAN, JUMPERS FOR DECIMAL POINT, AND ZERO AND SPAN RANGES
MOUNTING: SURFACE, CONDUIT OR PIPE MOUNT
WEIGHTS: LPI 25: 0.5 LBS (0.23 KILOGRAM)
LPI 30: 2.0 LBS (0.91 KILOGRAM)
LPI 40: 3.0 LBS (1.36 KILOGRAM)
LPI 40D: 3.0 LBS (1.36 KILOGRAM)

OPTIONS

OPTION NUMBER	DESCRIPTION
H 23	TWO (2) INCH PIPE MOUNT KIT

Ordering Information

- Model number
- Calibration
- Housing and miscellaneous options

Please refer to the Housing and/or Option Section for more specific and detailed information.