



## Features:

- Dual Display, 4 digit, 7 segment LED
- TC/RTD
- PID, ON/OFF Control
- Two Setpoints
- °C/ °F Selectable
- Field selectable Control Output (Relay or SSR)
- Auxiliary Output: Relay / SSR
- Easy to use

Size: 1/16 DIN 48mm X 48mm

Certifications: CE 

## Technical Specifications

### Display

Digits	4 digit 7 segment LED, Dual display <b>ATC 550</b> Height of Upper Display:0.3785" Height of Lower Display: 0.2720"
LED Indication	Relay ON, Tune, Soak Time

### Input Specifications

Inputs	Thermocouple (J,K,T,R,S) / RTD (Pt100)
Sampling Time	250 ms
Input Filter (FTC)	0.2 to 10.0 sec.
Resolution	0.1/1 (Fixed 1° for R & S type TC input)
Temperature Unit	°C / °F selectable
Indication Accuracy	For J, K & T inputs: 0.25% of F.S. ±1° For R & S inputs: 0.5% of F.S. ±2° (20 min of warm up time for TC inputs) For RTD inputs: 0.1% of F.S. ±1° (F.S. = Full Scale)

### Output specifications

<b>Control</b>	1
Contact Rating	5A @250V AC / 30V DC, resistive
SSR Drive (Voltage Pulse)	12V DC ± 10%, 50mA
<b>Alarm</b>	1
Contact Rating	5A @ 230V AC / 30V DC, resistive
SSR Drive	12V DC (50mA)

### Functional Specifications

Control Action	1) PID 2) ON-OFF
Proportional Band (P)	1.0 to 400.0°
Integral Time (I)	0 to 9999 sec
Derivative Time (D)	0 to 9999 sec
Cycle Time	0.1 to 99.9 sec
Hysteresis Width	0.1 to 99.9°
Manual Reset Value	-19.9 to 19.9°

### Functional Specifications

#### Heat-cool

Control Action	PID (with auto-tuning)
Proportional Band-Cool	0.0 to 400.0°
Cycle Time-Cool	0.1 to 99.9 sec
Dead Band	Programmable from setpoint low limit to setpoint high limit.

#### Settings for Alarm Output

Modes	Deviation, Absolute
Hysteresis	0.1 to 99.9°

### Supply Voltage

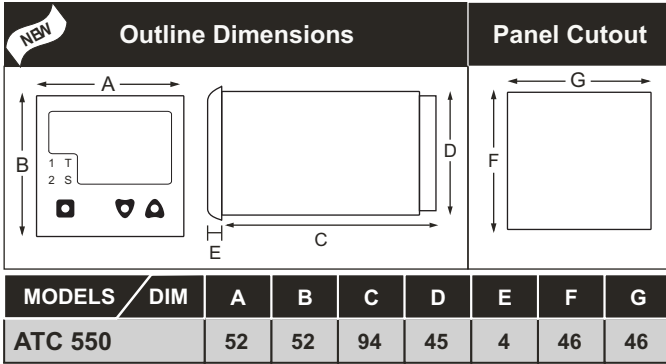
Supply voltage	85 to 270V AC/DC (50 / 60Hz)
Power Consumption	6 VA max @230V AC

### Environmental Specifications

<b>Temperature / Humidity (non-condensing)</b>	Operating: 0 to 50°C Storage: -20 to 75°C, 95% RH
<b>Weight</b>	142 gms
<b>Protection Level</b>	IP65 for faceplate

### Compliance

IEC/EN 61326 (EM/EMC)  
IEC/EN 61010 Revision 3 2010 Edition (Safety)  
UL 61010 Revision 3 2010 Edition (Safety)



**INPUT RANGES (Table 1)**

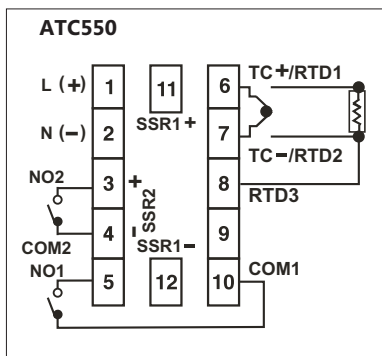
**FOR RTD**

Input	Ranges	
Resolution	1	0.1
Pt100	°C	-150 to 850
	°F	-238 to 1562

**FOR THERMOCOUPLE**

Input	Ranges	
Resolution	1	0.1
J	°C	-199 to 750
	°F	-328 to 1382
K	°C	-199 to 1350
	°F	-328 to 2462
T	°C	-199 to 400
	°F	-328 to 750
R & S	°C	0 to 1750
	°F	32 to 3182

**Terminal Connections**



Cable Size (AWG): 13; Stud Hole for Lug (inch): 0.137; Tightening Torque (Lb-inch): 7

**Ordering Information**

This Product is UL Approved and CE certified.

Part NO.	Control Output "SELECTABLE"		Auxiliary Output	Supply Voltage
ATC550S00000	Relay	12V DC SSR	Relay	85 - 270V AC / DC
ATC550S10000	Relay	12V DC SSR	12V DC SSR	85 - 270V AC / DC

Other options & accessories available: Please Consult Factory