

VOLTAGE TRANSFORMER

Model 468

Frequency:
60 Hz

Standard Secondary Voltage:
120 Volts

Insulation Level:
600 Volts, 10 kv BIL full wave

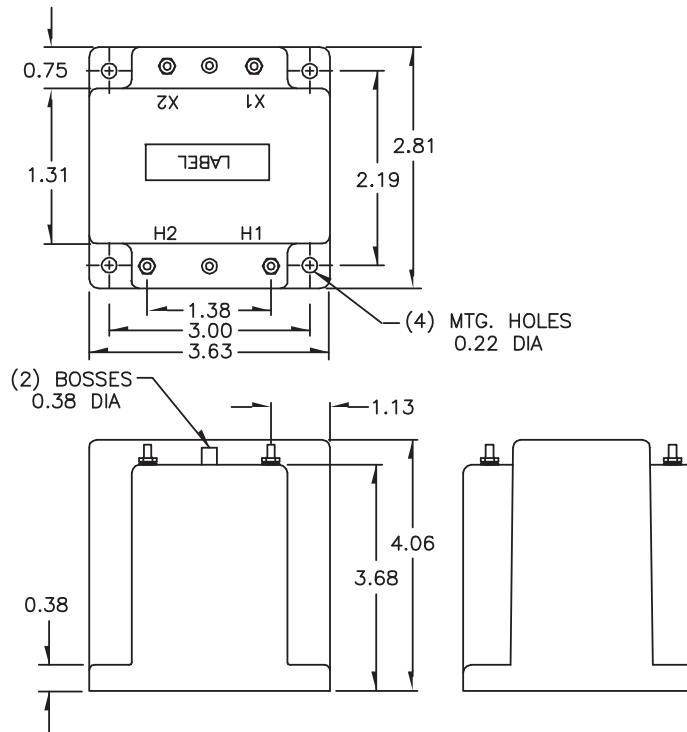
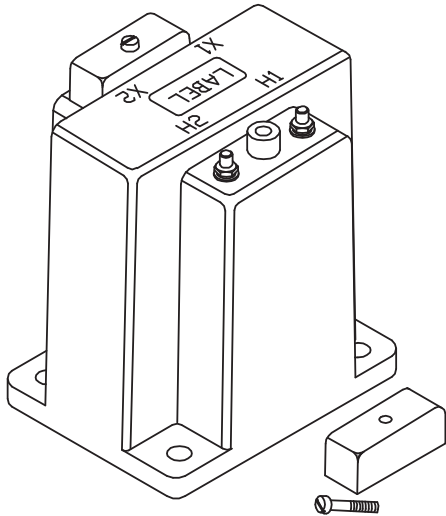
Accuracy Class:
± 0.6% at all burdens up to 7.5VA and ± 1.5% with 20VA burden

Thermal Rating:
75 VA at 30°C amb.
50 VA at 55°C amb.



E228202

- Terminals are brass studs No. 10-32 with one lockwasher, flatwasher and regular nut.
- These transformers are designed for operation line-to-line. They may also be operated line-to-ground or line-to-neutral at reduced voltage, (58% of rated volts).
- It is desirable to use a 0.80 amp fuse in the secondary to protect the transformer.
- With two exceptions these transformers are ANSI C57.13 group 1. Those marked * are group 2.
- Models 468-380, 468-400, 468-416 designed specifically for 50Hz operation are available with reduced performance consult factory for details.
- Each transformer has two plastic terminal covers.
- The core and coil assembly is encased in a thermoplastic shell and filled with resin.
- Approximate weight: 4 lbs.



CATALOG NUMBER	VOLTAGE RATING	TURNS RATIO	REC. PRIMARY FUSE RATING
468-069	69.3:120	0.58:1	3.0
468-120	120:120	1:1	2.0
468-208	208:120	1.73:1	1.0
468-240	240:120	2:1	1.0
468-277	277:120	2.31:1	1.0
468-288	288:120	2.4:1	0.75
468-300	300:120	2.5:1	0.75
468-346	346:120	2.88:1	0.75
*468-480	*480:120	4:1	0.50
*468-600	*600:120	5:1	0.40