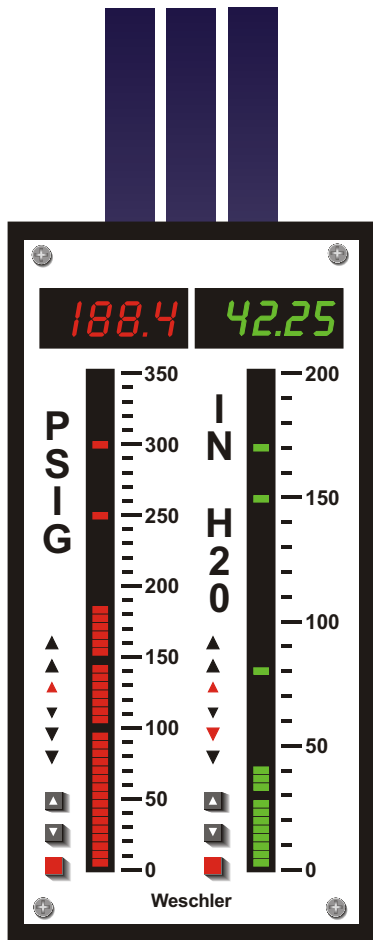
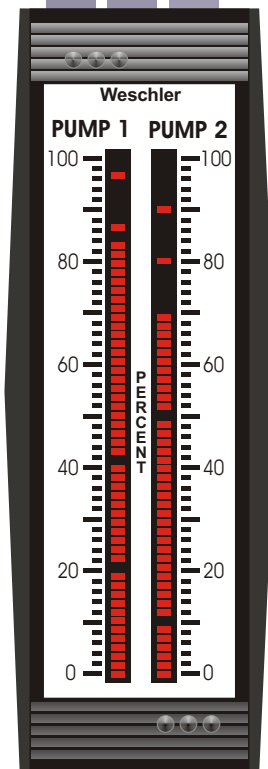


BG Series Dual BarGraphs™



PC-202



BI-1251

Weschler's 101 segment LED BarGraphs combine the best of analog and digital solid state instrumentation. The BI125 and PC202 Dual BarGraphs have two independent 101 segment indicator bars that fit easily into standard 6" edgewise and DIN size panel cutouts. Bars are available in red, green or amber.

Each bar gives the operator a quick view of the measured signal and the control setpoints. The 101 segment bar provides 1% display resolution. Setpoint LEDs provide an added visual indication of control/alarm status. Signal direction is indicated by two trend indicators for each display. Dual 3-1/2 or 4 digit displays on the PC202 provide precise readouts of the signal variables. Setpoints and other parameters on the PC202 are easily entered from the front panel. The BI1251 uses an external button station to program the setpoints.

The Weschler Dual BarGraph instruments accept DC process inputs, either voltage or current. Other BarGraph models can be configured for a wide variety of input signals. Retrofit sizes are available for most panel and switchboard meters in use today. These instruments satisfy the high quality standards set forth by the utility, OEM and process control industries.

FEATURES

High resolution 101 segment LED bar

Programmable functions

- Zero point location
- Setpoint location
- Hysteresis (setpoint, trend)
- Span and zero
- Digital display for engineering units
- Enable/disable front buttons
- I.D. selection for communication

Form-C relay outputs

- Normally Open
 - 5A, resistive @ 250VAC
 - 5A, resistive @ 28VDC
- Normally Closed
 - 3A, resistive @ 250VAC
 - 2A, resistive @ 28VDC

Peak and Valley hold

Trend indication for signal direction.

Retrofit sizes for:

- Dixson BB202, BG202
- Sigma/International Instruments 1251

3½ or 4 digit display with resolution up to 0.01%.

Process Control DC inputs up to 5 amps and 250V



16900 FOLTZ PARKWAY - CLEVELAND, OH 44149
 Phone: (440) 238-2550 - Fax: (440) 238-0660
 www.weschler.com e-mail: sales@weschler.com

ORDERING GUIDE

SAMPLE PART NUMBER (SEE BOTTOM OF PAGE FOR EXAMPLE)

D B 3 N 1 A A M 1 X X P X X X

PART NUMBER

<p>TYPE: D = PC202 DIN Size Dual BarGraph X = BI1251 6" Vertical BarGraph</p> <p>BAR ZERO POINT: B = Zero at Bottom H = Zero at 50% mid scale F = Zero at F.S. S = Special/off scale zero</p> <p>DIGITAL DISPLAY: 3 = 3-1/2 Digit Display 4 = 4 digit Display X = None S = Special</p> <p>SETPPOINTS: N = Hi/Lo H = Hi/Hi-Hi L = Lo/Lo-Lo Z = Fail Safe Hi/Lo X = None S = Special order</p> <p>SETPPOINT HYSTERESIS: 1 = 1% of F.S. (standard) 2 = 2% of F.S. 5 = 0.5% of F.S. X = Not required S = Special</p> <p>INPUT TYPE: A = DC Volts B = DC Amps P = 4-20mA DC (input level AK) N = 1-5V DC (input level AV) M = 10-50mA DC (input level BA) S = Special</p>	<p>LED COLOR: G = Green only A = Amber only X = Red only</p> <p>K = Conformal Coating T = Terminal Strip Connector A = Custom Artwork X = NA S = Special</p> <p>T = Trend Indicator (202 only) X = NA</p> <p>P = Peak/Valley Hold X = NA</p> <p>COMMUNICATION:* A = RS232 C = RS485 Bi-directional X = None *Available on one side of 202 only</p> <p>RETRANSMIT:* A = 4-20 mADC into 250 ohm B = 0-1 mADC into 1000 ohm C = 1-5 VDC D = 0-1 VDC X = None *(Available on one side of 202 only)</p> <p>POWER: 1 = 120V AC 2 = 240V AC</p> <p>A = 8-30V AC B = 9-36V DC C = 18-75V DC D = 110-300V DC / 85-264V AC E = 4.5-9VDC</p>	<p>INPUT LEVEL: See input Level Matrix Guide</p>
--	---	---

EXAMPLE: D B 3 N 1 A A M 1 X X P X X X

(D) PC202, (B) zero at bottom, (3) 3-1/2 digit, (N) Hi/Lo setpoint, (1) 1% of F.S. setpoint hysteresis, (A) DC volts input, (AM) full scale is 0.05 volts, (1) 120 VAC 50/60 Hz power, (X) not required, (X) not required, (P) peak/valley hold, (X) not required, (X) not required, (X) red led color

ORDERING INFORMATION: LEFT SIDE

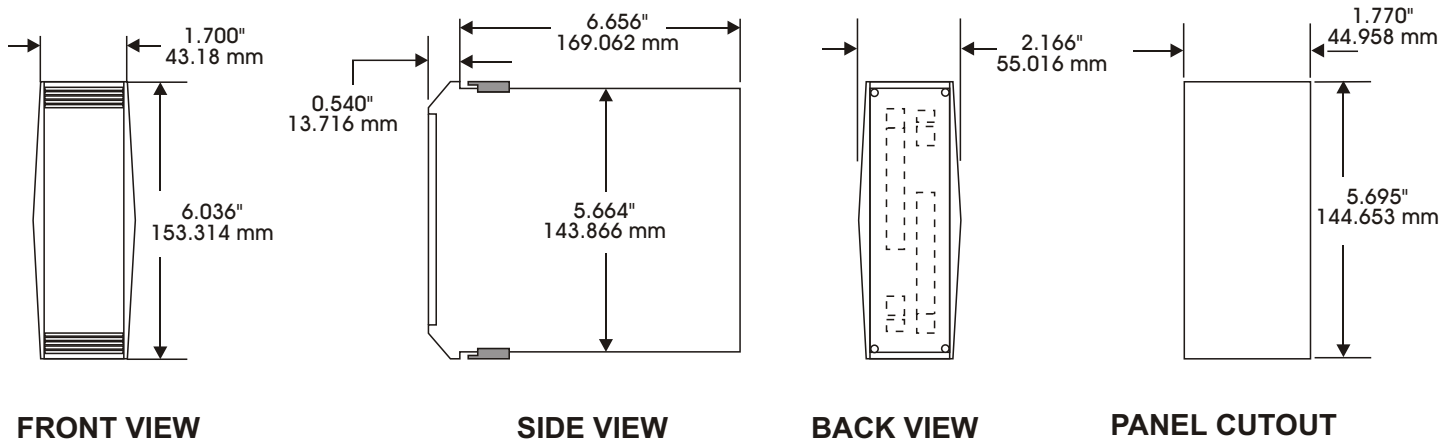
Input: _____ to _____ Eng. Units: _____
 Bar Display: _____ to _____
 Digital Display _____ to _____ Color _____
 legend _____

ORDERING INFORMATION: RIGHT SIDE

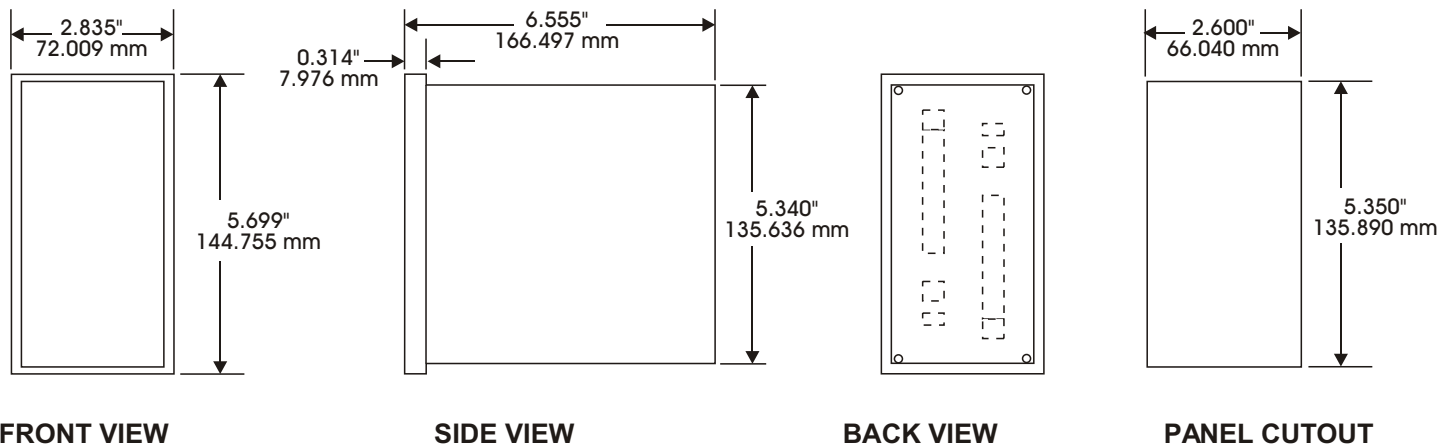
Input: _____ to _____ Eng. Units: _____
 Bar Display: _____ to _____
 Digital Display _____ to _____ Color _____
 legend _____

DIMENSIONS

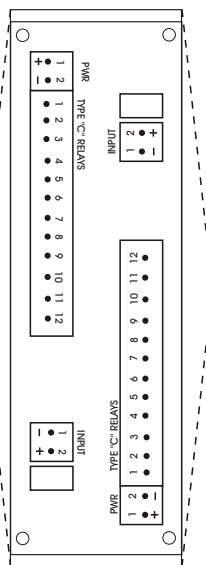
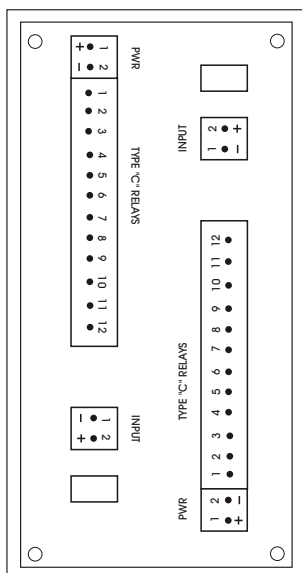
BI-1251



PC-202



TERMINAL CONNECTIONS



INPUT

VOLTAGE / CURRENT

(1) Return Side (-) (2) Hot Side (+)

POWER

(1) Hot Side (+) (2) Return Side (-)

COMMUNICATIONS

(1) Transmit (2) Common (3) Receive

RELAY CONTACTS*

(1) Hi/Hi N.O. (2) Hi/Hi C.
 (3) Hi/Hi N.C. (4) Hi N.O.
 (5) Hi C. (6) Hi N.C.
 (7) Lo N.O. (8) Lo C.
 (9) Lo N.C. (10) Lo/Lo N.O.
 (11) Lo/Lo C. (12) Lo/Lo N.C.

* N.O. = Normally Open
 N.C. = Normally Closed
 C. = Common

5/28/03 a

Options and features vary by model. Contact factory for details and latest specifications.



16900 FOLTZ PARKWAY - CLEVELAND, OH 44149
 Phone: (440) 238-2550 - Fax: (440) 238-0660
 www.weschler.com e-mail: sales@weschler.com