

BF6400 SINGLE & DUAL CONCENTRIC BARGRAPHS



BF6402 with Attachable Button Station option

Features:

- Two Complete Bargraph Units in One Case
- Replaces Foxboro 6400HC Indicators
- High Resolution 101 Segment Bars
- 3½ or 4½ Digit LED Displays
- Wide Selection of Inputs
- Alarm, Retransmit & SCADA Output Options

The BF6400 family of Bargraph Meters provide either one or two channels of signal conditioning and display in a rugged metal case. For maximum flexibility, each channel is configured separately and operates totally independently. These units provide large, bright displays to replace Foxboro mechanical indicators or other large analog gauges. In addition to replicating the Foxboro 0-50mA DC input, a wide selection of DC, AC, temperature and frequency inputs can be ordered. Adjustable setpoints and up to four relay outputs provide the capability for control and alarm based on signal level. Custom scales can be specified to duplicate existing gauge markings.

The front panel has no operator accessible controls, so configuration settings cannot be accidentally changed. Either the digital interface or optional Attachable Button Station can be used to setup or reconfigure each channel. The digital displays provide precise measurements of process parameters. The optional analog retransmit can be used for remote display or connection to a plant SCADA system. The BF6400 provides many other features of the popular Weschler BG252, including adjustable bar zero location, bar span, digital decimal point, digital full scale and flashing overrange.

Key Specifications

Outer Bar:	101 segment Red, Green or Amber LED, 5" (127mm) dia.
Inner Bar:	101 segment Red LED, 3.5" (89mm) dia.
Digital Display:	7 Segment LED, 0.4" (10mm) high, color matches bar. 3½ digit resolution 0.1% of full scale. 4½ digit resolution 0.01% of full scale.
Input Sensitivity:	50µA-5ADC, 50mV-250VDC, 50mA-5AAC, 1-250VAC. Line frequency 55-65Hz, Freq 50-20kHz.
Input Overload:	200%, not to exceed 250V or 10A.
Setpoint Relays:	2 or 4 Form C, single pole (SPDT) Normally Open contacts: 5A@250VAC or 28VDC, resistive. Normally Closed contacts: 3A@250VAC or 28VDC resistive.
Connections:	Phoenix style standard (mating connectors supplied), terminal strips optional.
Dimensions:	
Front Bezel:	6-7/16"W x 7-1/8"H (164x181mm), protrudes 1/2".
Case:	5-15/16"W x 6-1/8"H (143x156mm).
Depth:	6-5/8" (168mm) behind panel; add 1/2" (13mm) for connectors.
Operating Temperature:	0 to 50°C, <95% RH, non-condensing.
Storage Temperature:	-40°C to 85°C.
Weight:	5.2 lbs. (2.36kg)

See BG Series Edgewise data sheet for more complete input specifications.

Contact Weschler for 10CFR50
Nuclear Qualified models

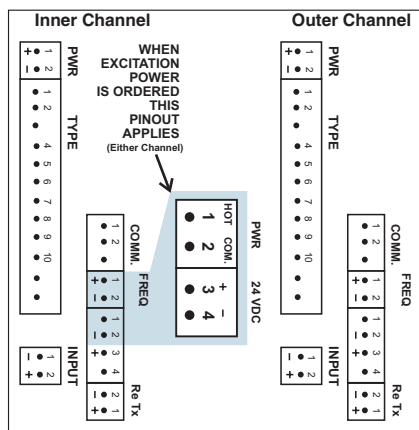


Mounting hardware attaches to top & bottom or sides

ORDERING GUIDE

OUTER CHANNEL										
INNER CHANNEL										X
TYPE: E = BF6402 Dual Channel F = BF6401 Single Channel ♦										LED COLOR: G = Green A = Amber X = Red S = Special or Mixed
BAR ZERO POINT: B = Zero at Bottom H = Zero at 50% Mid scale F = Zero at Full Scale S = Special										MISCELLANEOUS: K = Conformal Coating T = Terminal Strip Connector S = Special X = None A = Custom Artwork X = None P = Peak/Valley Hold X = Not Required
DIGITAL DISPLAY: 3 = 3½ digit 4 = 4½ digit X = None										COMMUNICATION: A = RS232 C = RS485 (2 wire bi-directional) X = None
SETPOINTS: N = Hi / Lo H = Hi / Hi-Hi L = Lo / Lo-Lo 4 = Hi-Hi / Hi / Lo / Lo-Lo Z = Fail Safe Hi / Lo X = None S = Special										RETRANSMIT: A = 4-20mA DC into 250Ω B = 0-1ma DC into 1000Ω C = 1-5V DC D = 0-1V DC F = 4-20mA DC, 700Ω max. (isolated source*) G = 0-1mA DC (isolated source*) H = 10-50mA DC (isolated source*) W = 24VDC@90mA Excitation Power (not available with F, G or H) X = None *unit must be AC powered
SETPOINT HYSTERESIS: 1 = 1% of Full Scale 2 = 2% of Full Scale 5 = 0.5% of Full Scale X = None S = Special										POWER: 1 = 120VAC 50/60Hz 2 = 240VAC 50/60Hz A = 8-30V AC B = 9-36V DC C = 18-75V DC D = 110-300V DC / 85-264V AC E = 4.5-9V DC
INPUT: A = DC Volts B = DC Amps P = 4-20mA DC (use input level AK) N = 1-5V DC (use input level AV) M = 10-50mA DC (use input level BA) C = AC Volts RMS (terminal strip connections incl.) D = AC Amps RMS (terminal strip connections incl.) F = Line Frequency Q = Mag Pickup Frequency T = Thermocouple (specify J, K, or T □) R = 3 or 4 wire RTD (specify 100Ω Pt or 10Ω Cu □) U = Serial ASCII (communication option required) S = Special										
INPUT LEVEL: See Input Level Matrix chart										♦ Note: Single Channel units can be configured with either the inner or outer bar. Specify when ordering.

TERMINAL CONNECTIONS



INPUT

VOLTAGE / CURRENT
 (1) Return Side (-)
 (2) Hot Side (+)

RTD
 (1) - Source
 (2) - Sense
 (3) + Sense
 (4) + Source

MAGNETIC PICKUP
 (2) Lead 1 (-)
 (3) Lead 2 (+)

THERMOCOUPLE
 Provided w / flying lead and plug.

AC LINE FREQUENCY

(1) Hot Side (+)
 (2) Return Side (-)
AC Inputs have 6/32" barrier lug connections.

POWER

(1) Hot Side (+)
 (2) Return Side (-)

COMMUNICATIONS

(1) Transmit (2) Common
 (3) Receive

EXCITATION POWER

(1) VAC (hot side)
 (2) VAC (common)
 (3) 24 VDC +
 (4) 24 VDC -

RELAY CONTACTS

(1) Hi/Hi N.O.	(2) Hi/Hi C.
(3) Hi/Hi N.C.	(4) Hi N.O.
(5) Hi Com.	(6) Hi N.C.
(7) Lo N.O.	(8) Lo Com.
(9) Lo N.C.	(10) Lo/Lo N.O.
(11) Lo/Lo Com.	(12) Lo/Lo N.C.

N.O.= Normally Open
 N.C.= Normally Closed
 Com.= Common